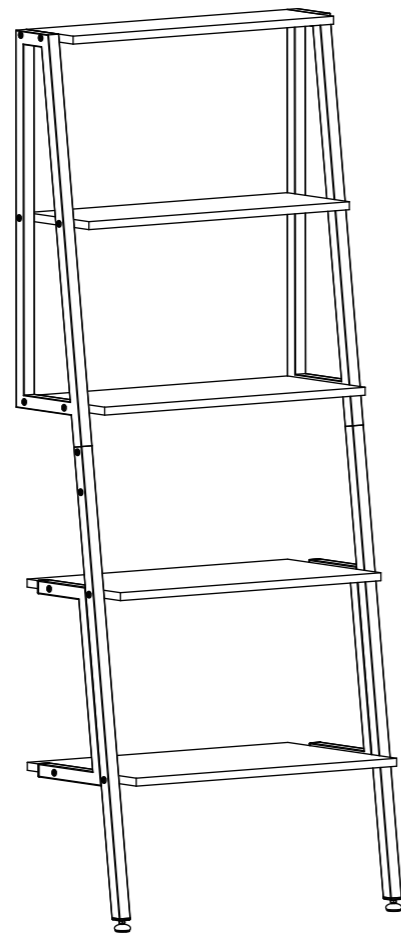


# TERAVES

Model : BC-tilt-01  
V2.0



*Build Your Dream House!*

## CONTACT US:



@Teraves2019



www.teraveshome.com



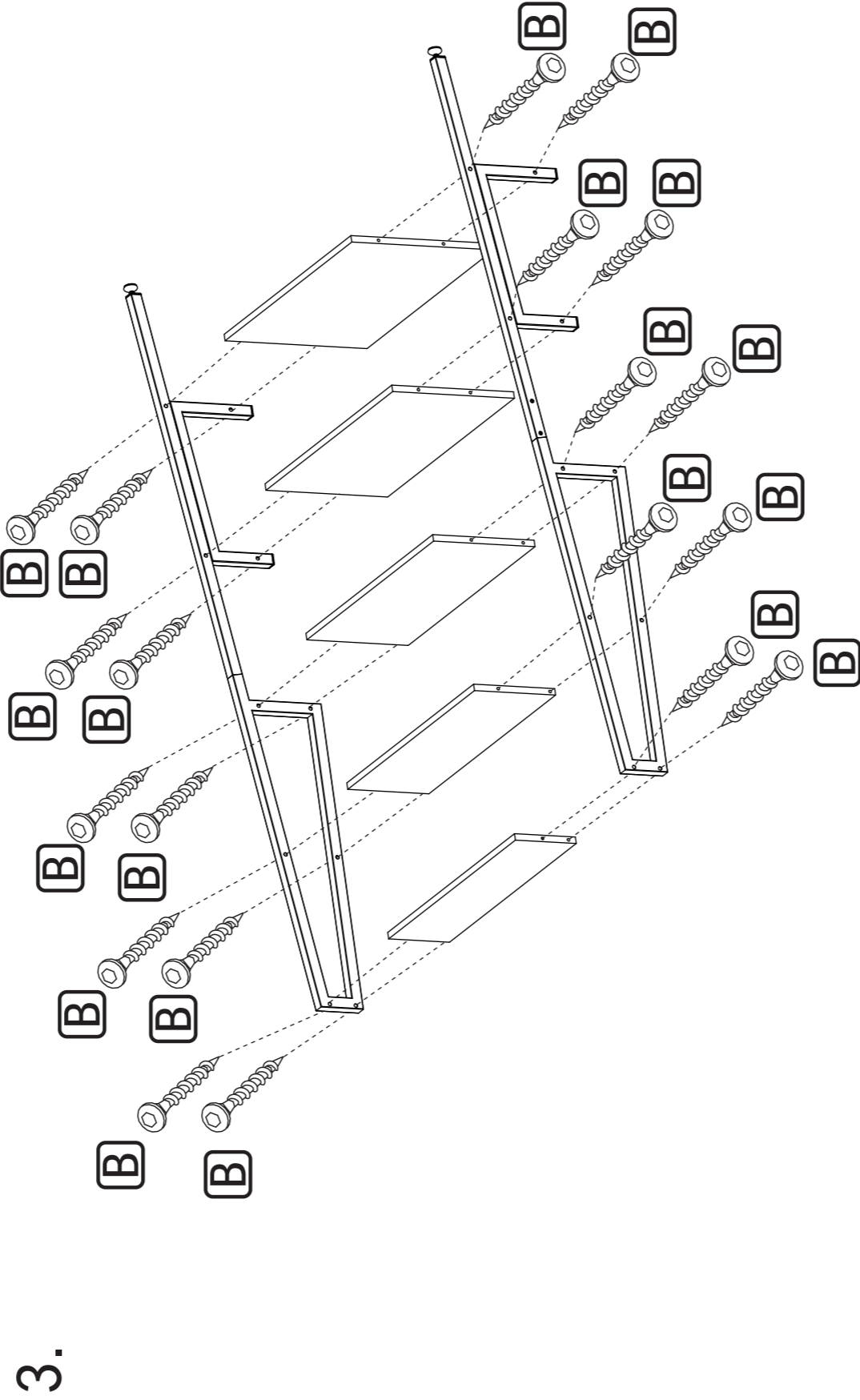
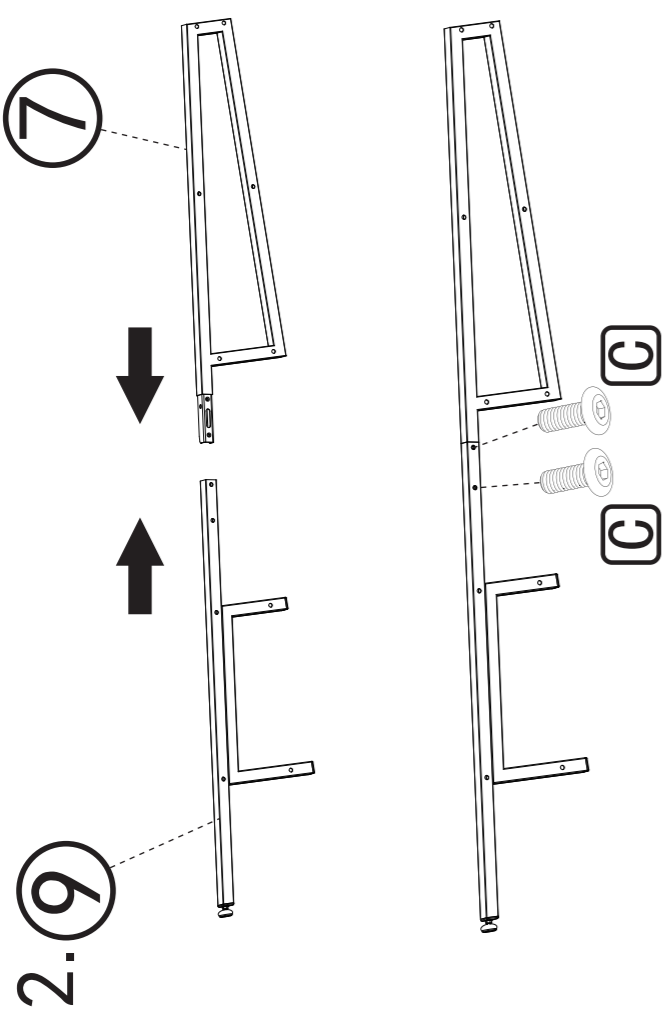
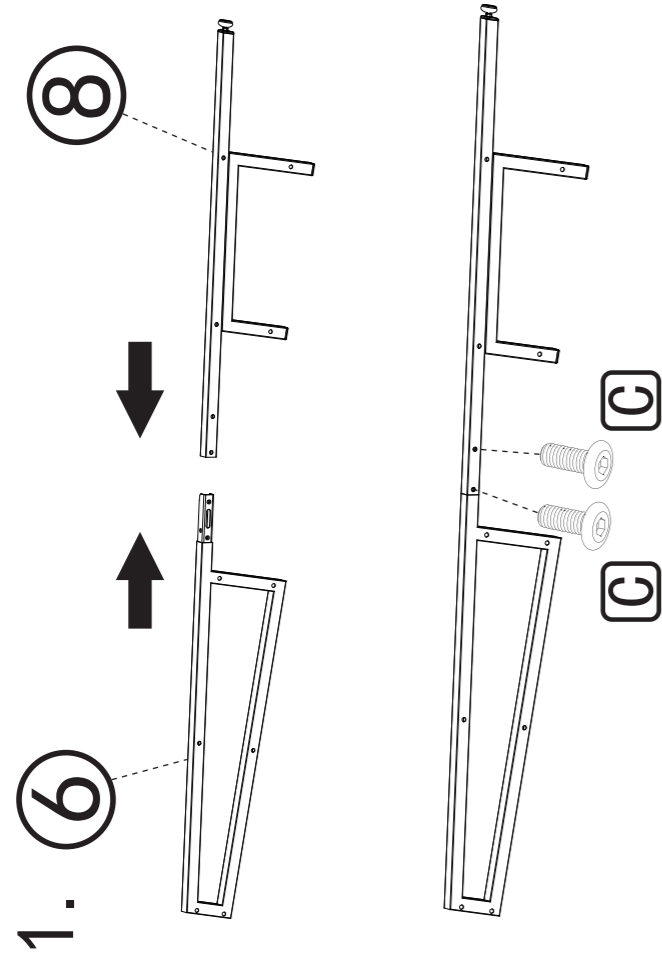
support@teraveshome.com

①x1	②x1	③x1	④x1	
⑤x1	⑥x1	⑦x1	⑧x1	
⑨x1	⑩x2	⑪x2	Gx4	
Ax4 M6x45	Bx24	Cx4 M6x10	Tx2	

The diagram includes two detailed views of the leg assembly. The left view shows leg 9 being attached to the frame using two screws (A) and a nut (T). The right view shows leg 8 being attached to the frame using two screws (A) and a nut (T).

### Installation tips:

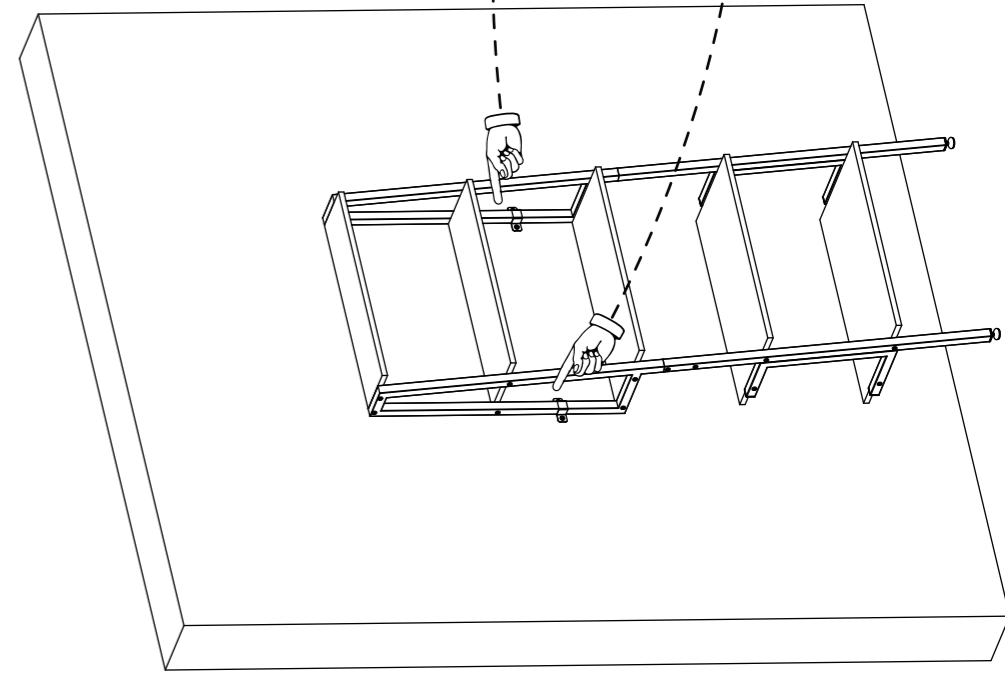
1. Please distinguish all parts according to the instruction before assembly.
2. Take note that screws can't be tightened until finishing the whole assembling.



4.



To prevent injury from unexpected tipping, please fixe the bookshelf on the wall with **⑪**.



Drill holes on the wall with a impact drill and 8mm drill bit.

