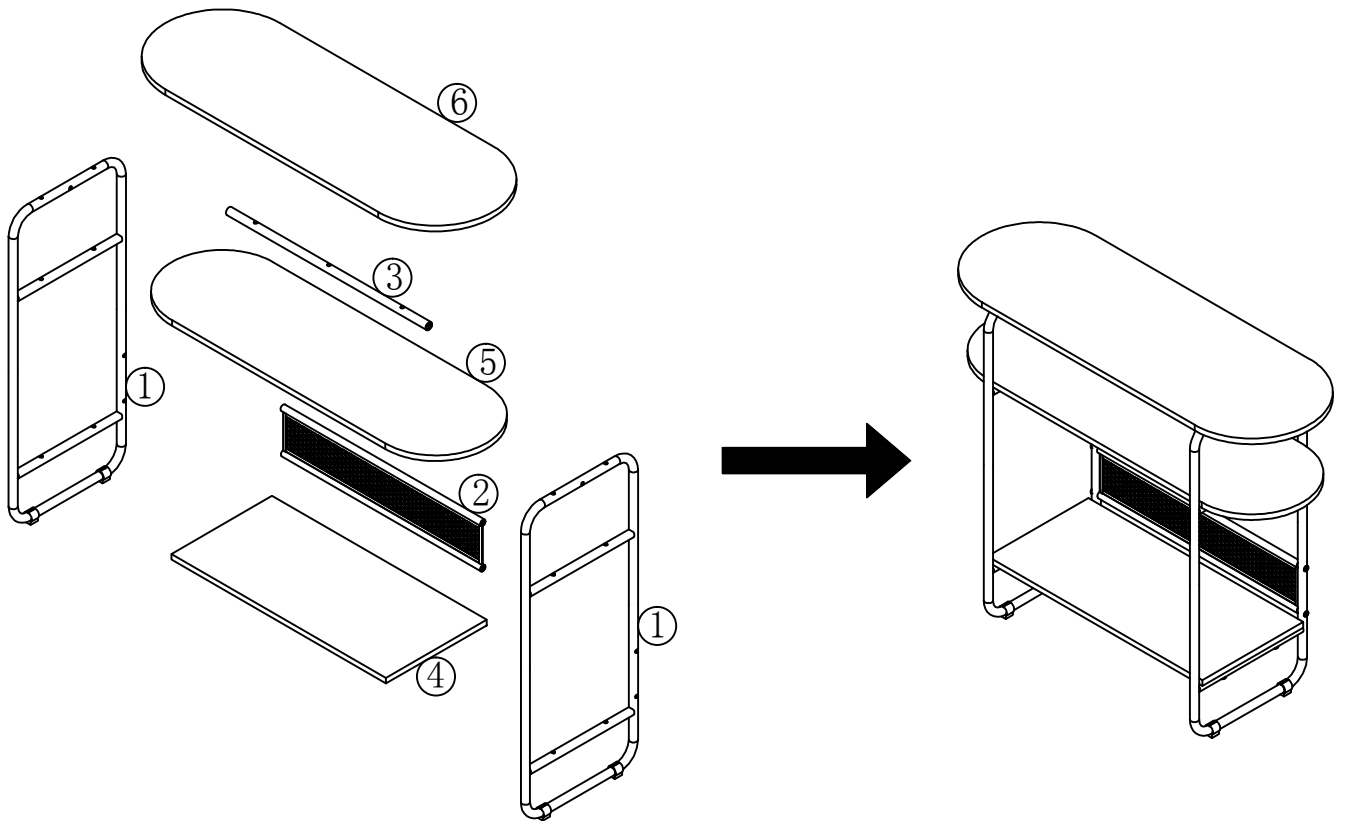


# Assembly Instructions



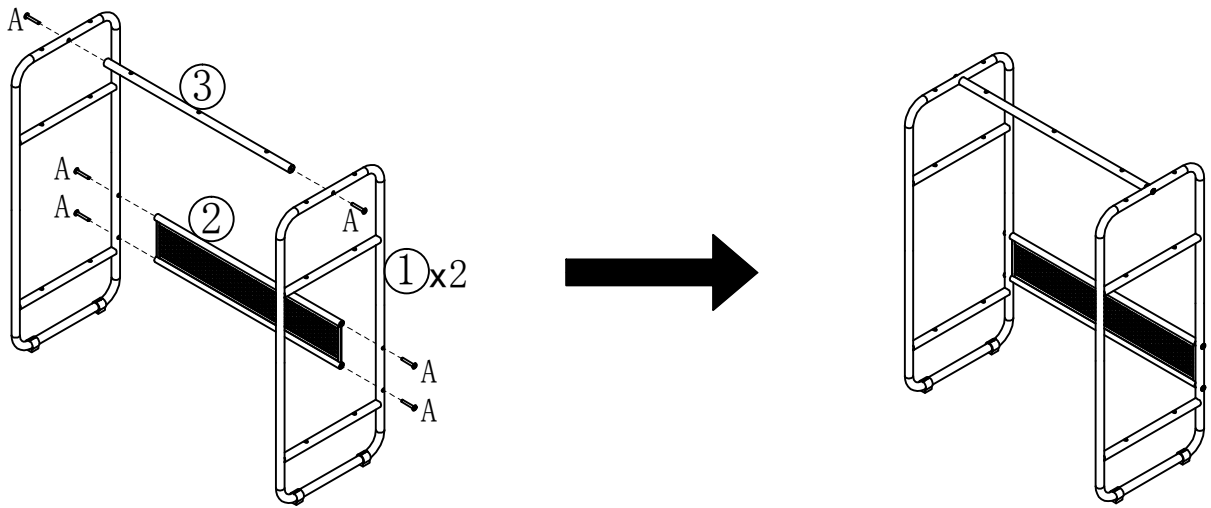
## HARDWARE NOTE :

Please do not completely tighten any screws until the entire assembly is complete. Once assembly is complete, please be sure tighten all hardware.

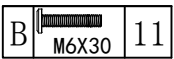
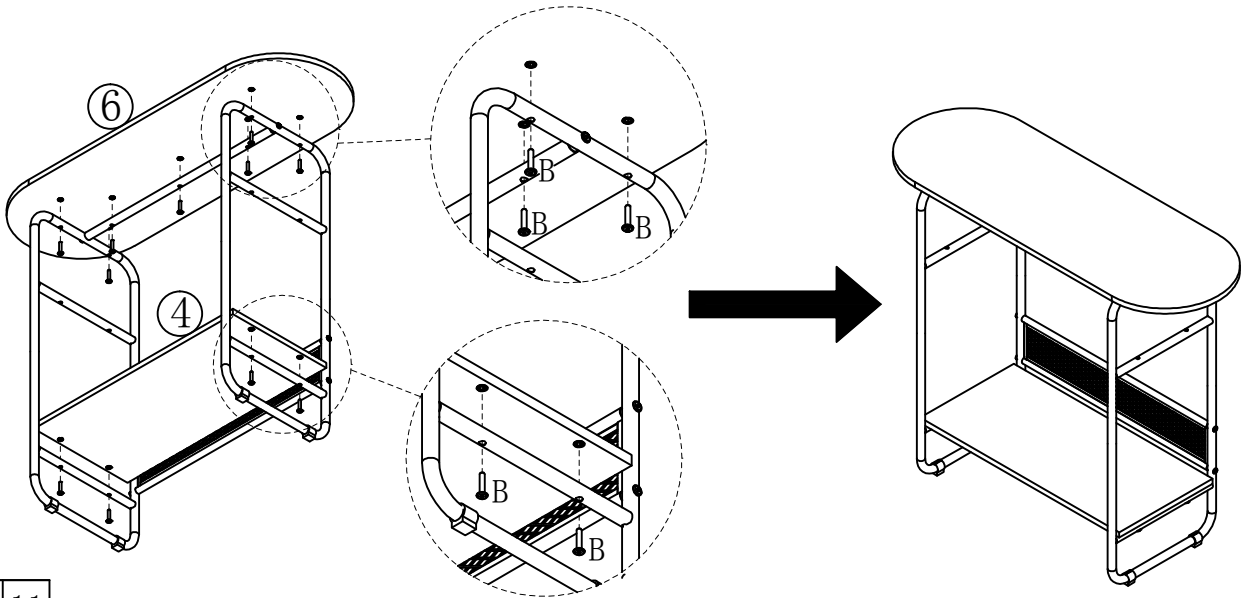
## Components

1   2PCS	2   1PC	3   1PC	4   1PC
5   1PC	6   1PC	A   6PCS	B   15PCS
		 M6X40	 M6X30
C   1PC			

1



2



3

