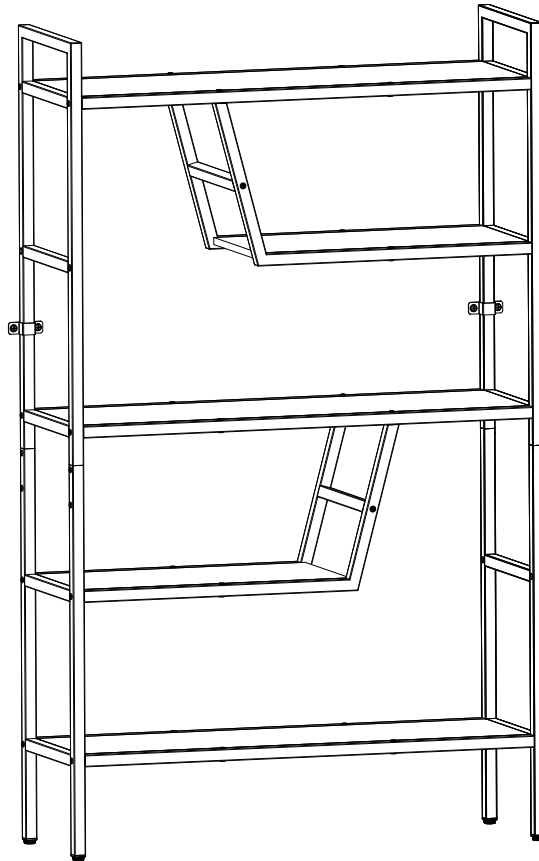


TERAVES

Model :BC-Var-01
V2.0



Build Your Dream House!

CONTACT US:



@Teraves2019



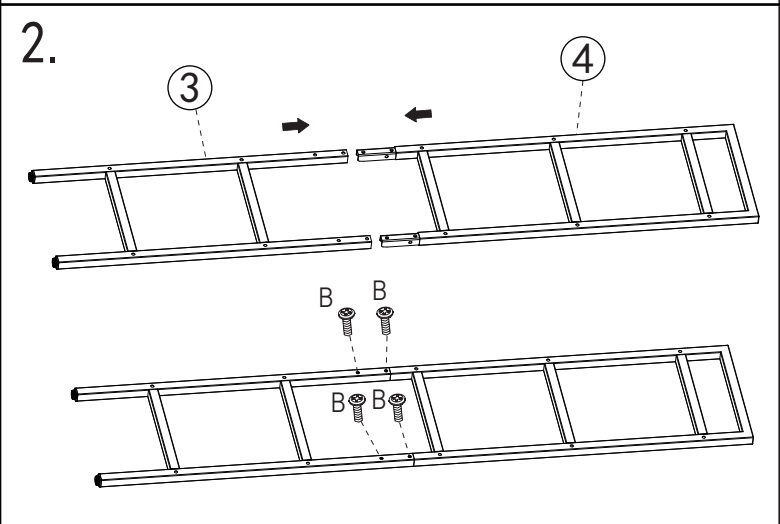
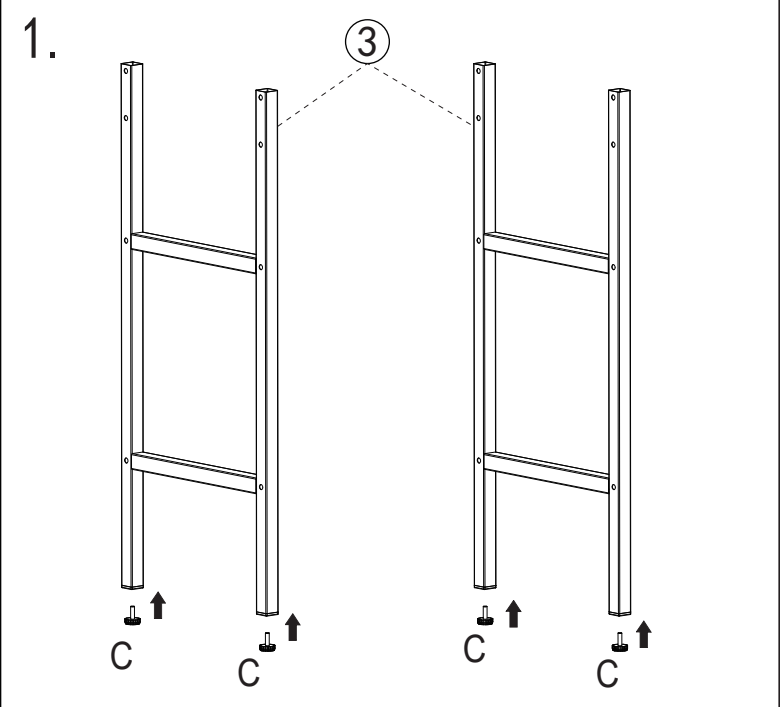
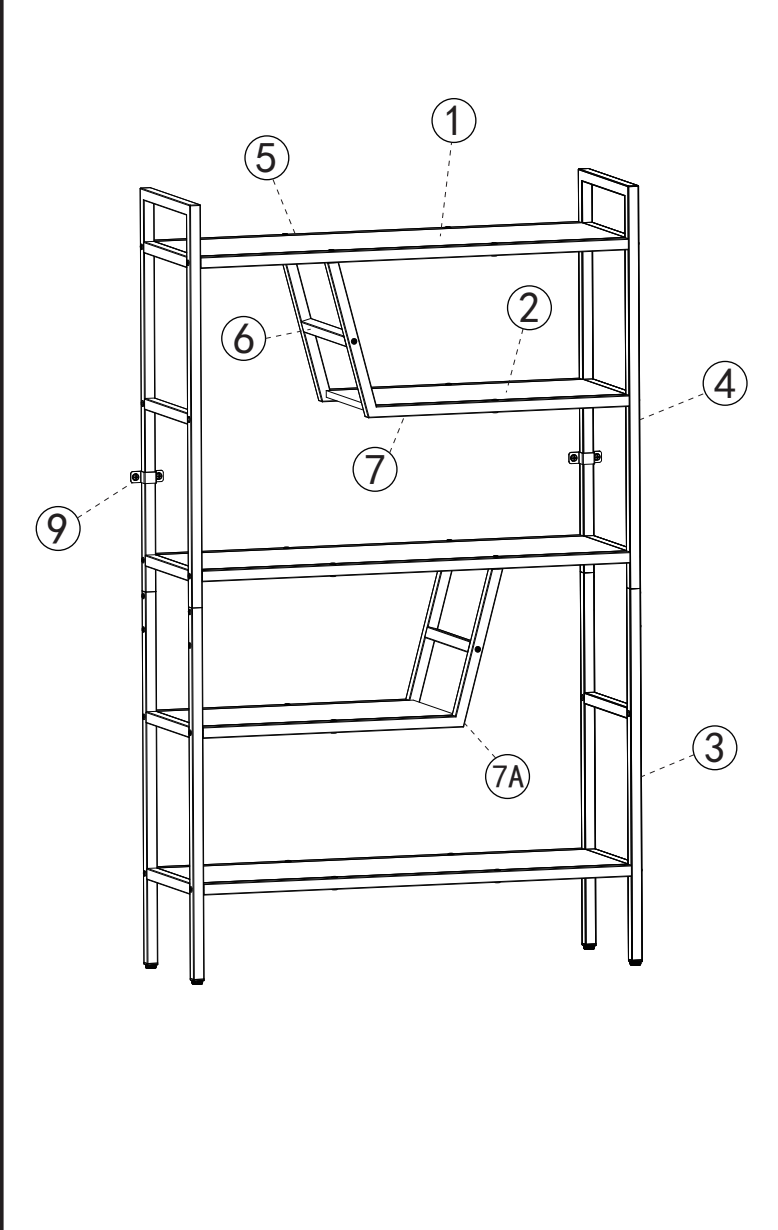
www.teraveshome.com



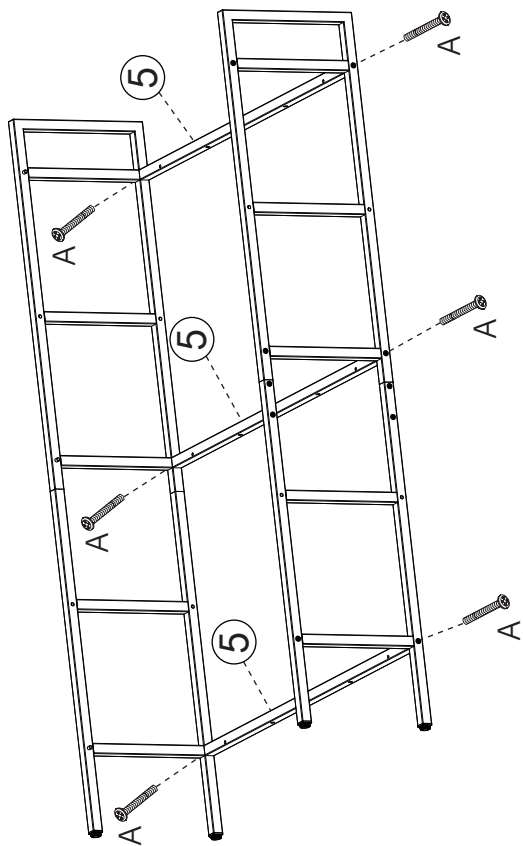
support@teraveshome.com

① x3 	② x2 	③ x2 	④ x2 	⑤ x6
⑥ x2 	⑦ x2 	⑦A x2 	⑧ x15 	⑨ x2

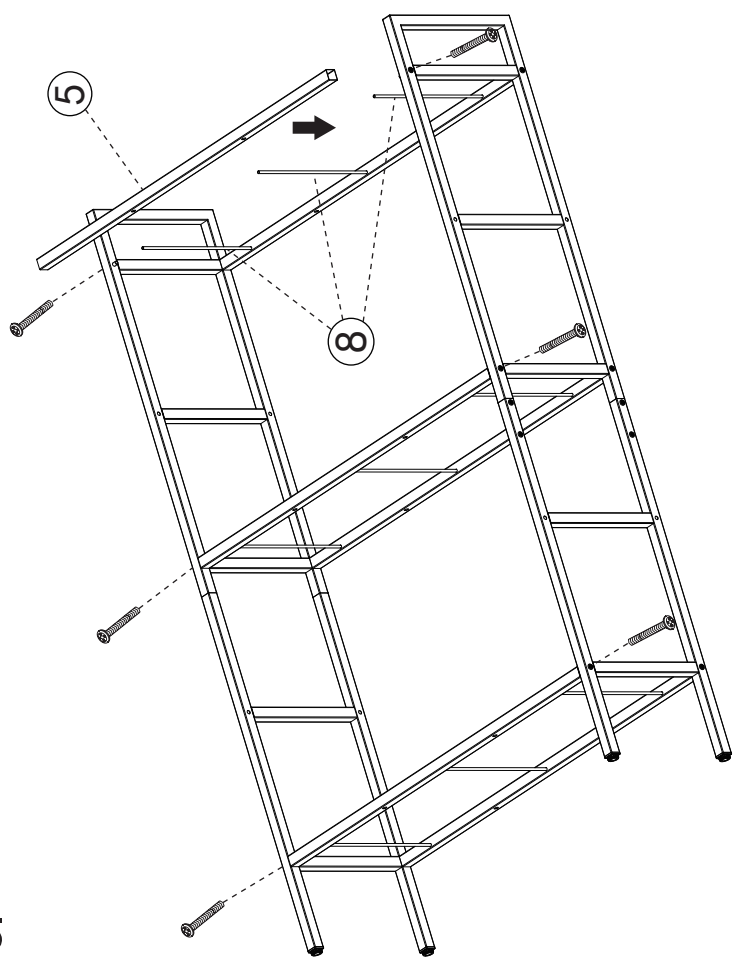
Ax24 M6X45	Bx8 M6X10	Cx4 	Dx24 Diameter 10mm	Ex8 Diameter 8mm	Fx4 	Gx4 	
-------------------	------------------	---------	---------------------------	-------------------------	---------	---------	--



5.

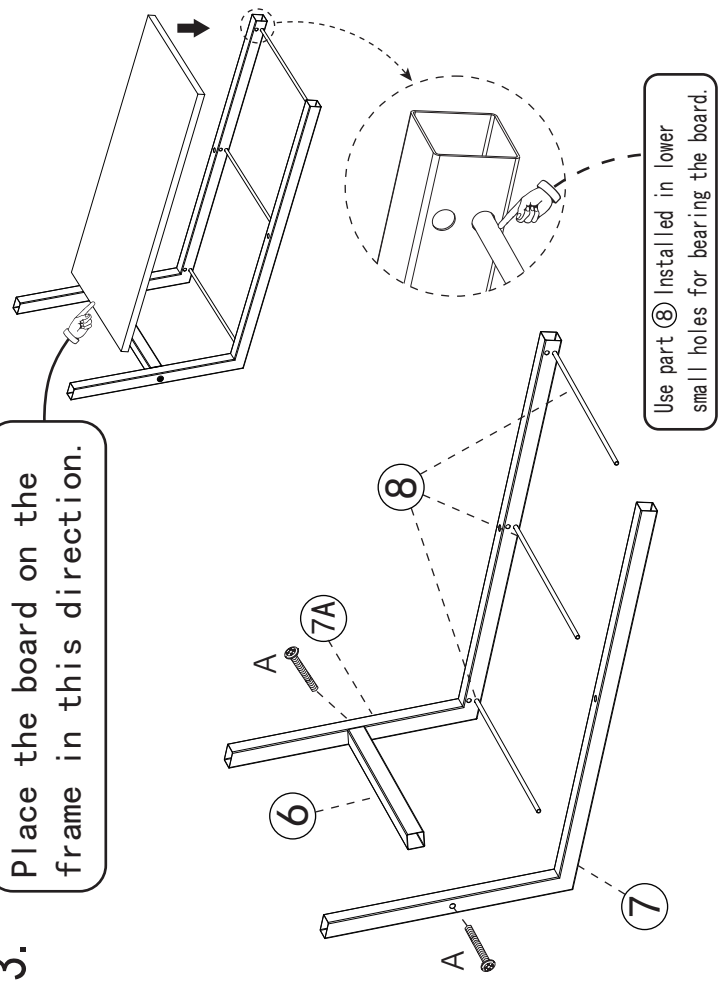


6.



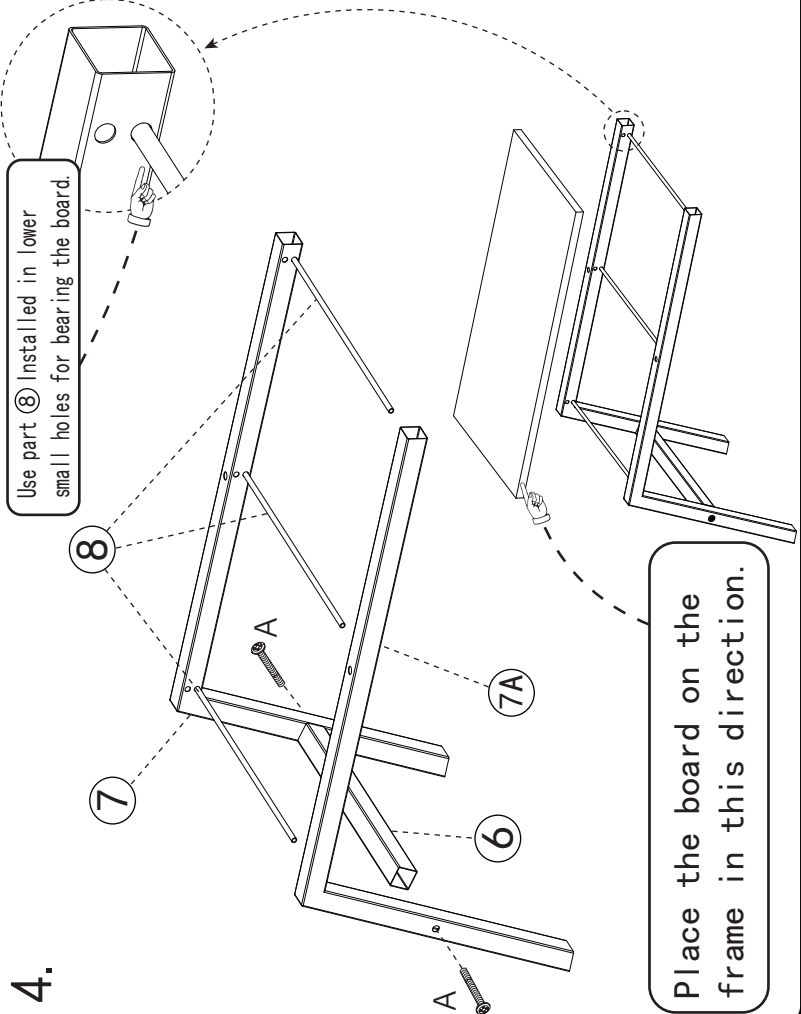
3.

Place the board on the frame in this direction.



Use part 8 installed in lower small holes for bearing the board.

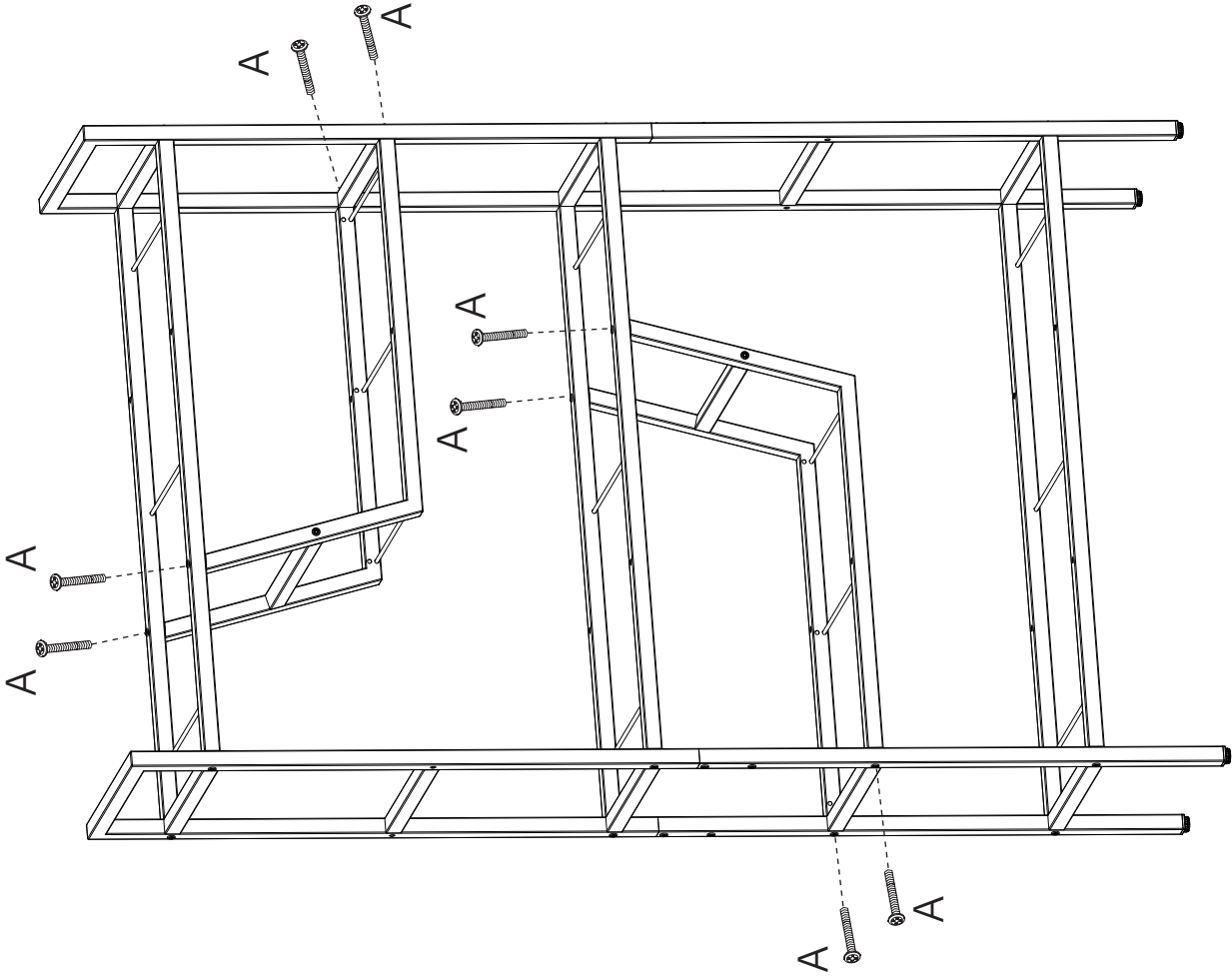
4.



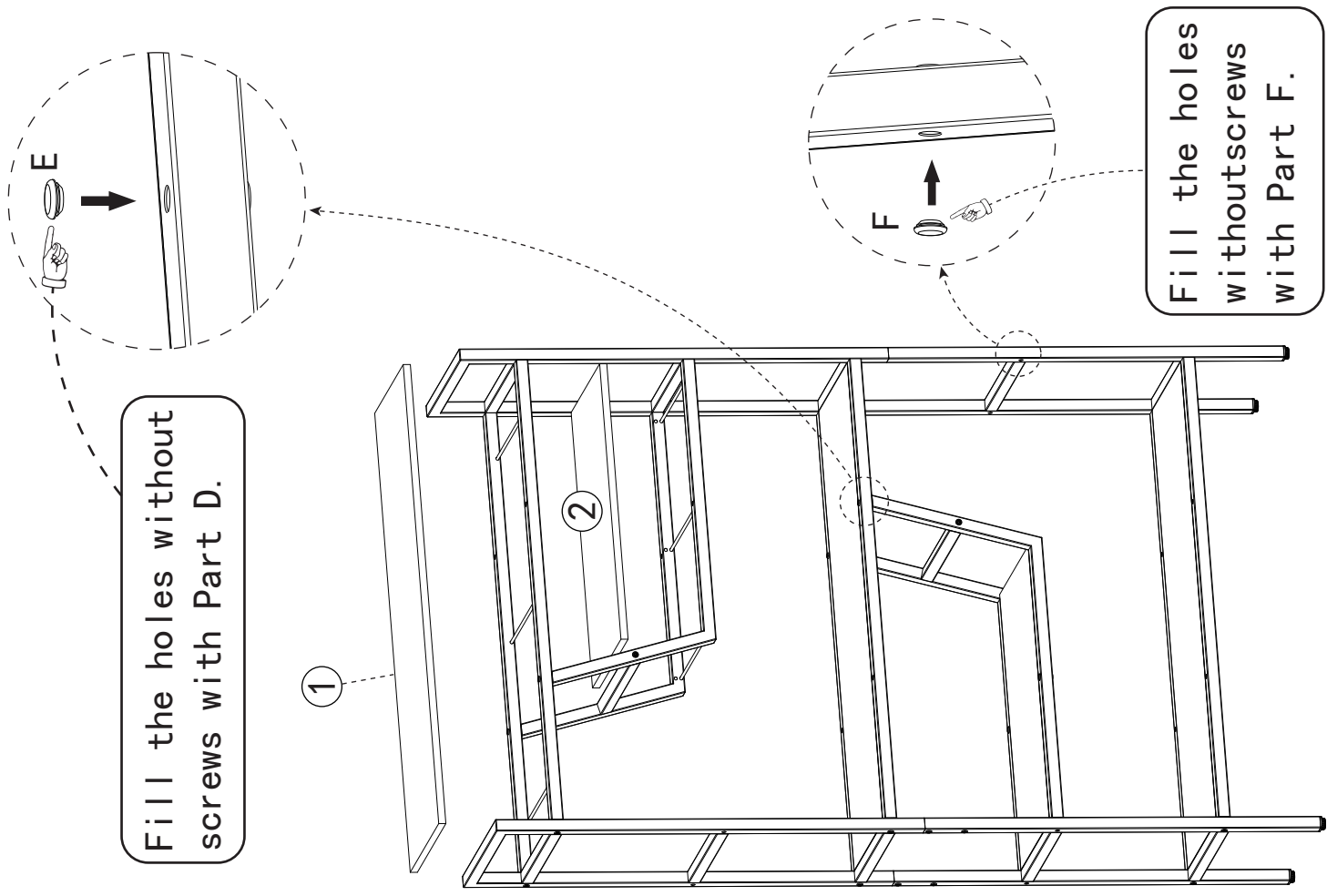
Use part 8 installed in lower small holes for bearing the board.

Place the board on the frame in this direction.

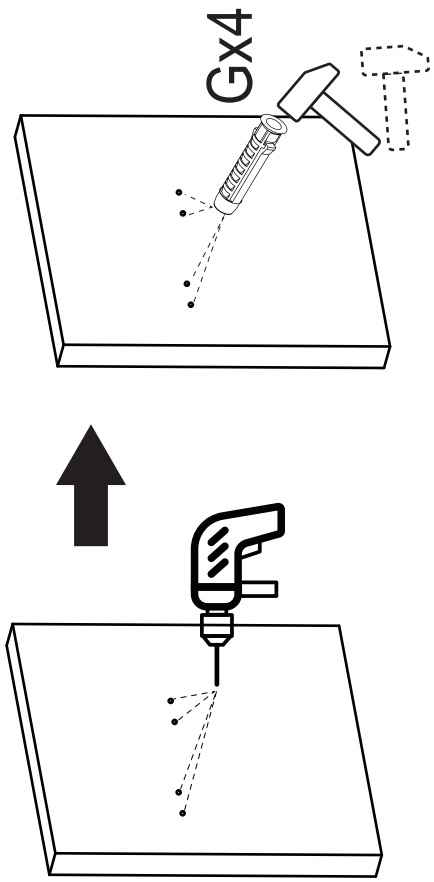
7.



8.

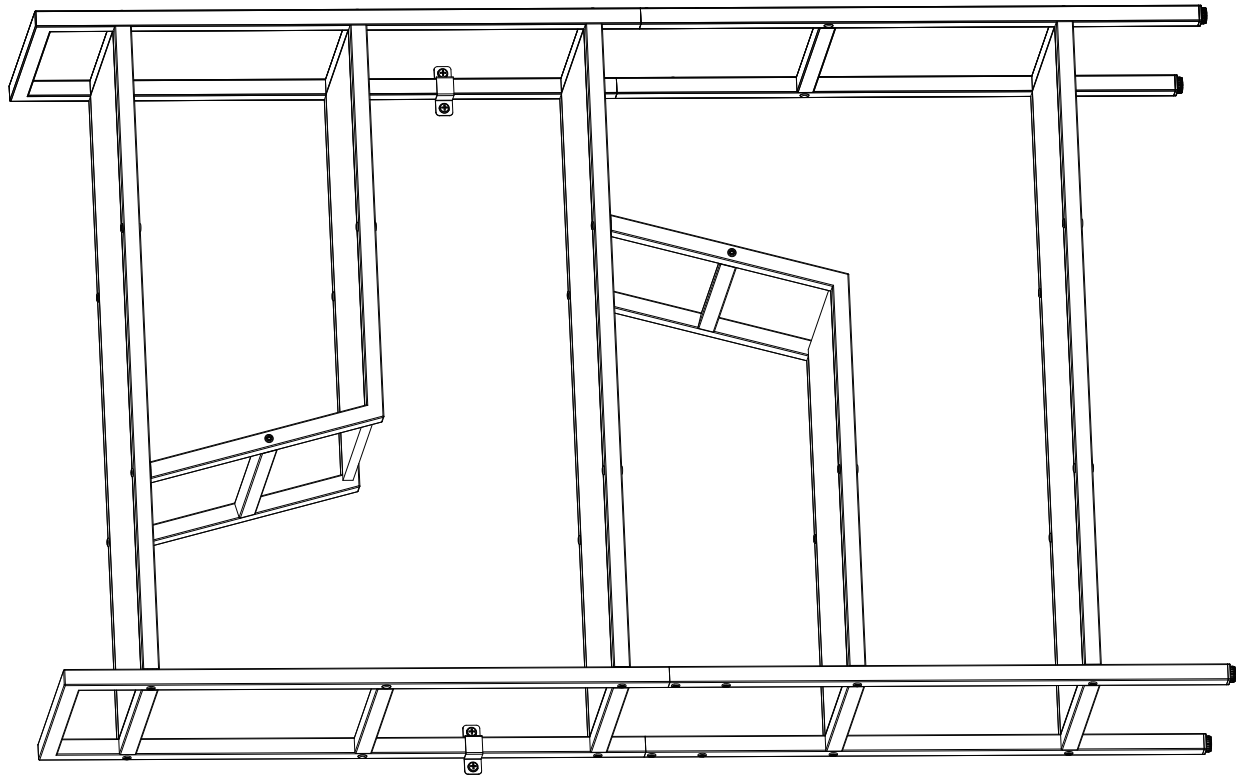


9.



Please use an electric drill to drill a hole with a diameter of 8mm on the wall, and then knock the Part#G into the hole on the wall completely.

10.



Fix the bookshelf to the wall with Part ⑨ & F for safety.

This bookshelf has 46 kinds of installation styles,
you can make your own bookshelf style as your wish.

