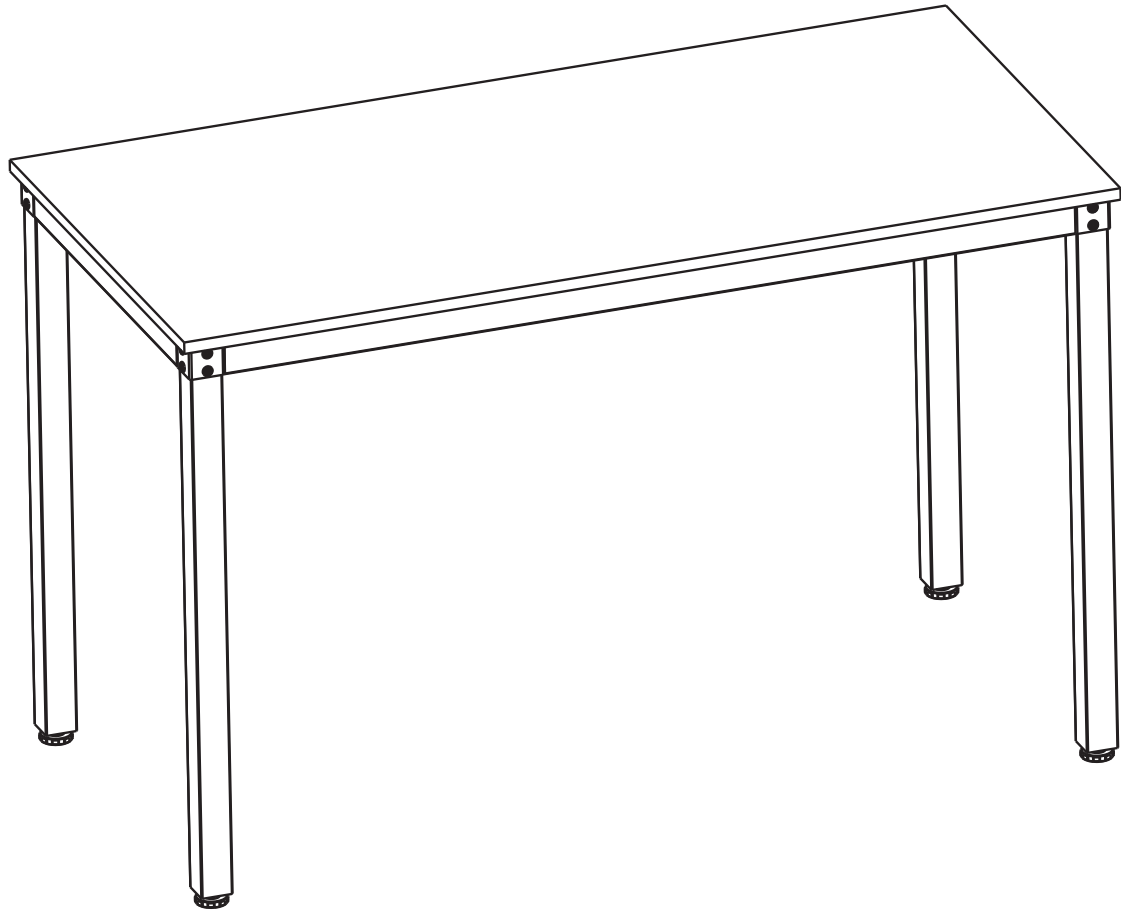


TERAVES

Model : PRIMI
V2.0



Build Your Dream House!

CONTACT US:



@Teraves2019

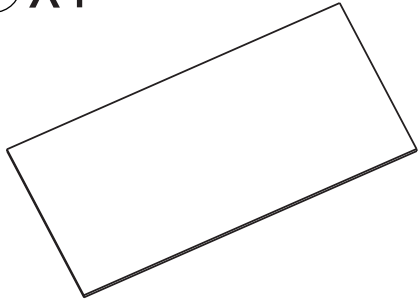


www.teraveshome.com

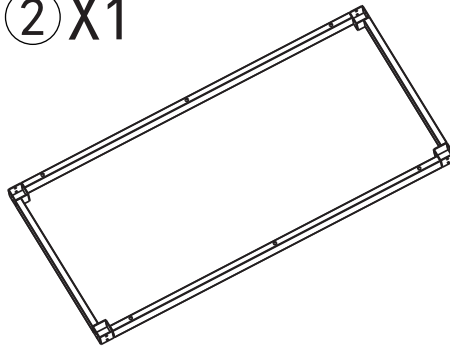


support@teraveshome.com

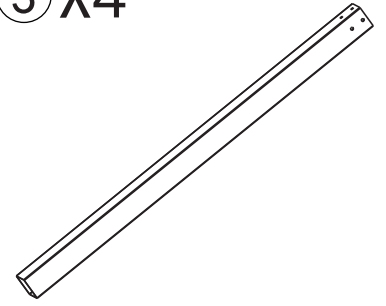
① X1



② X1



③ X4



CX6



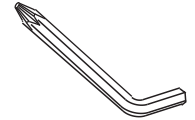
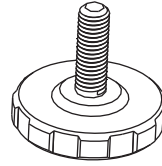
M6X50

DX16



M8X12

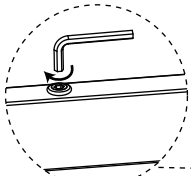
EX4



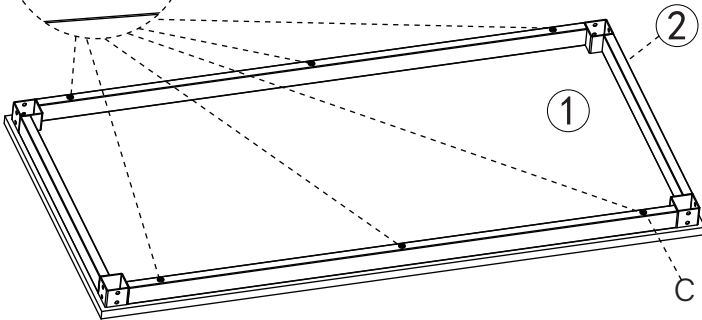
Installation tips :

- 1, Align the fittings and accessories when installing the frame, then tighten the screws.
- 2, When installing the board, first screw all the screw holes and tighten them.

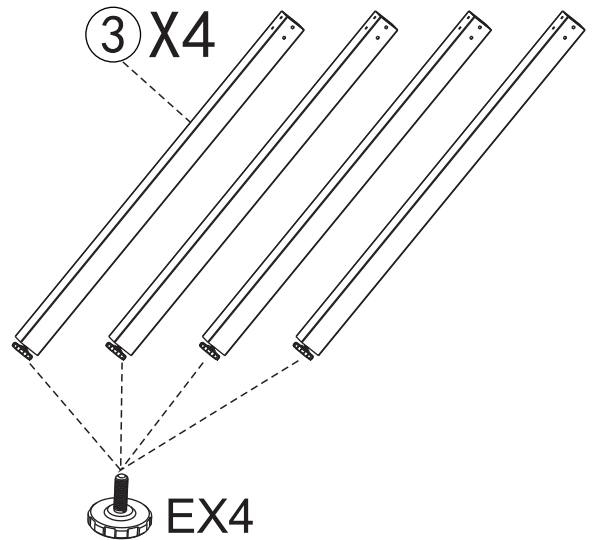
1.



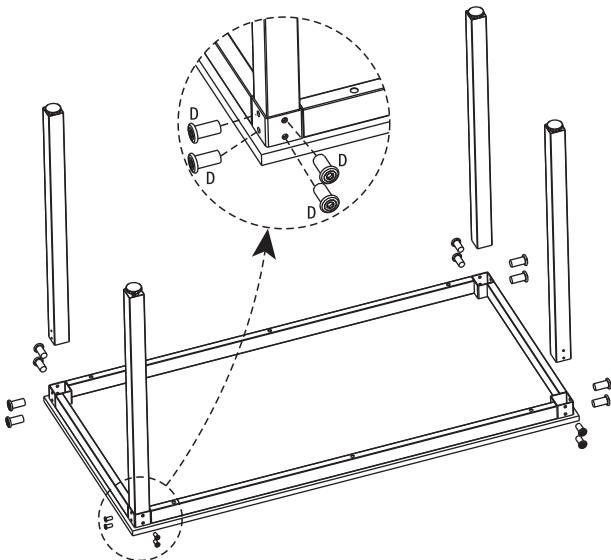
Part ① ② & CX6 have been pre-assembled. However, the screws might become loose in transit, so please check all the screws first when you receive the product, and tighten the loose screws.



2.



3.



4.

