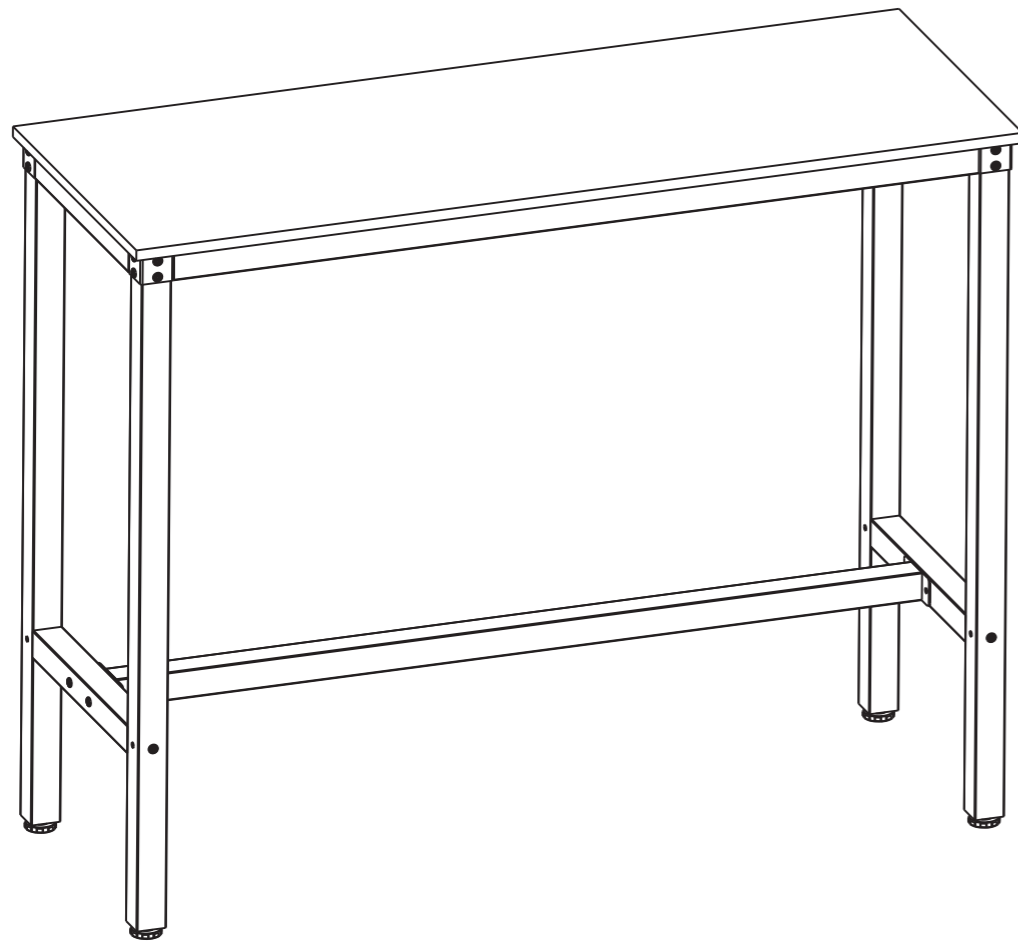


TERAVES

Model : BARTL



Build Your Dream House!

CONTACT US:



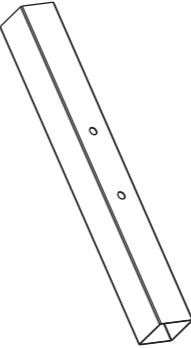
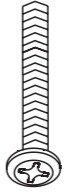
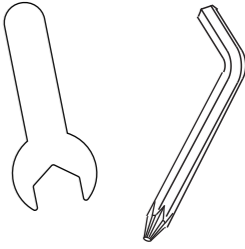
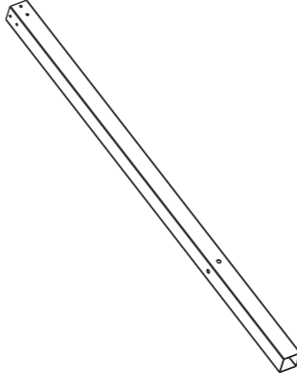
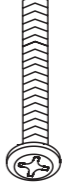
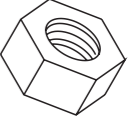
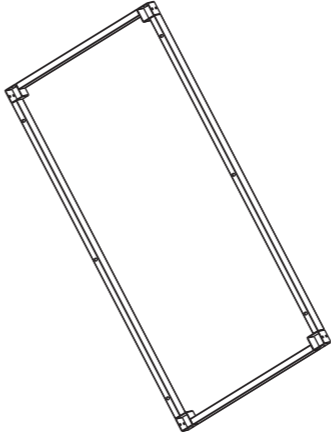
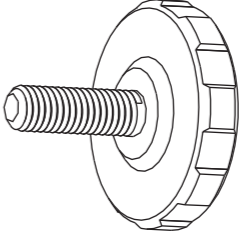
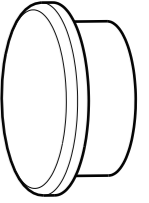
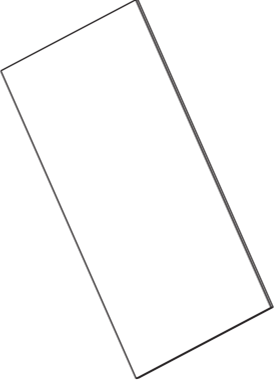
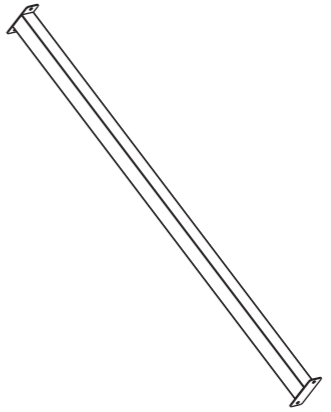
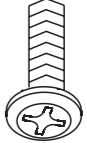
@Teraves2019



www.teraveshome.com



support@teraveshome.com

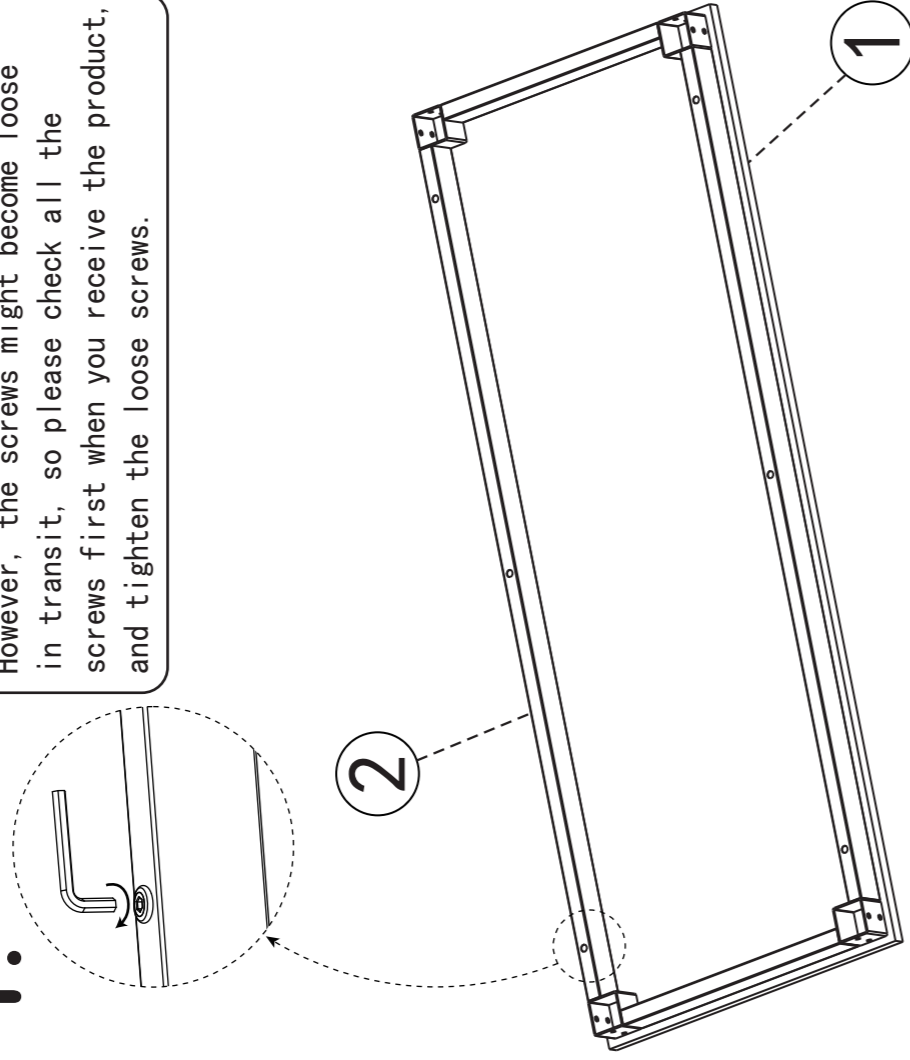
<p>④ X2</p> 	<p>CX10</p>  <p>M6X50</p>	
<p>③ X4</p> 	<p>BX4</p>  <p>M6X60</p>	<p>KX4</p>  <p>M6</p>
<p>② X1</p> 	<p>EX4</p> 	<p>FX8</p> 
<p>① X1</p> 	<p>⑤ X1</p> 	<p>DX16</p>  <p>M8X12</p>

Installation tips :

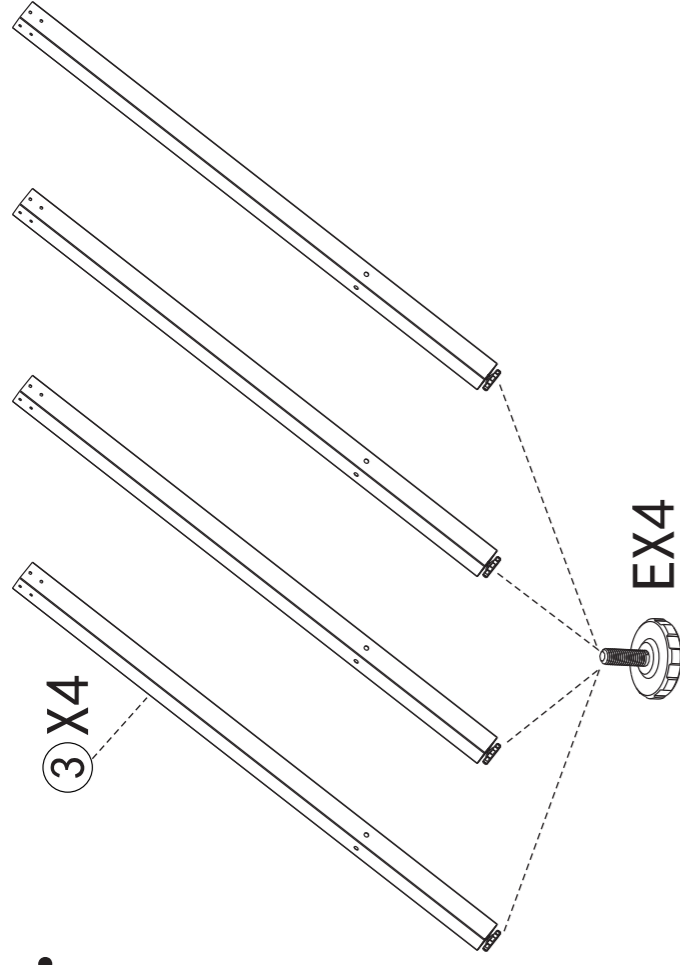
- 1, Align the fittings and accessories when installing the frame, then tighten the screws.
- 2, When installing the board, first screw all the screw holes and tighten them.

1.

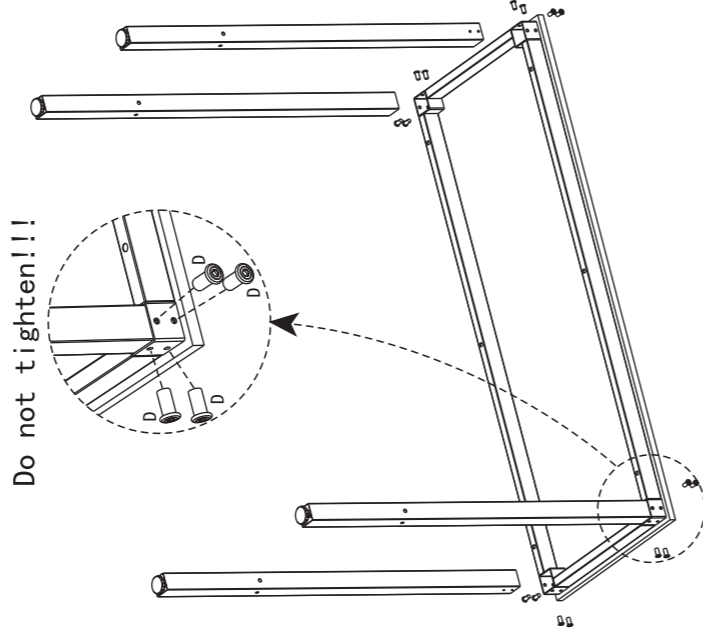
Part ① ② & Cx6 have been pre-assembled. However, the screws might become loose in transit, so please check all the screws first when you receive the product, and tighten the loose screws.



2.

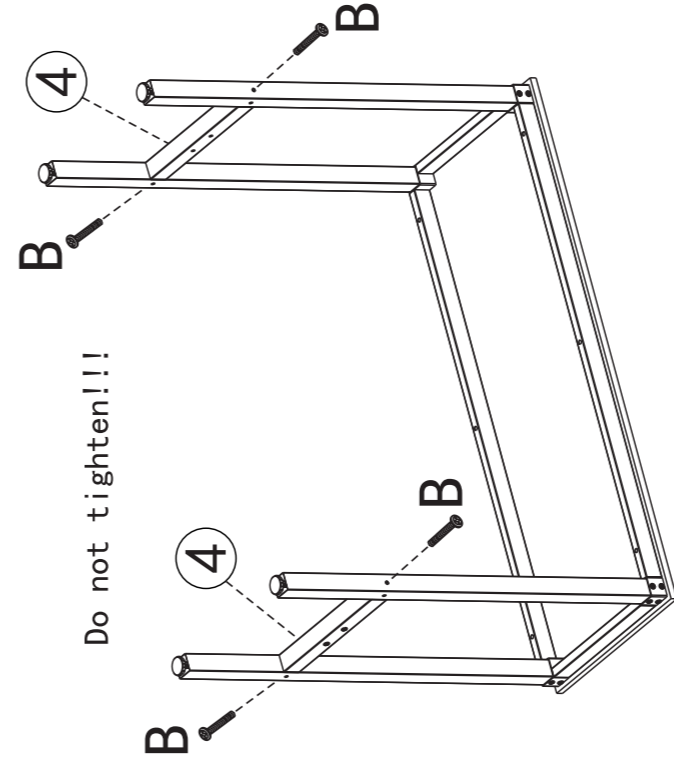


3.

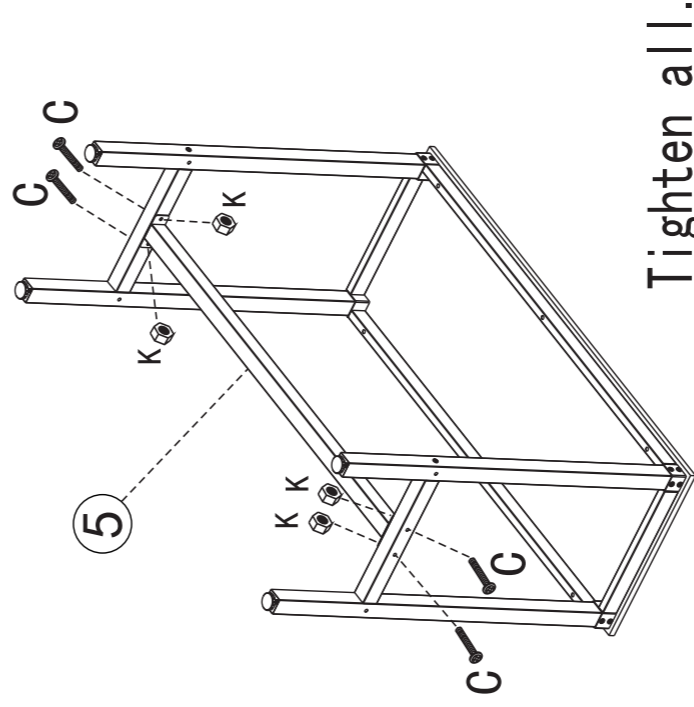


3.

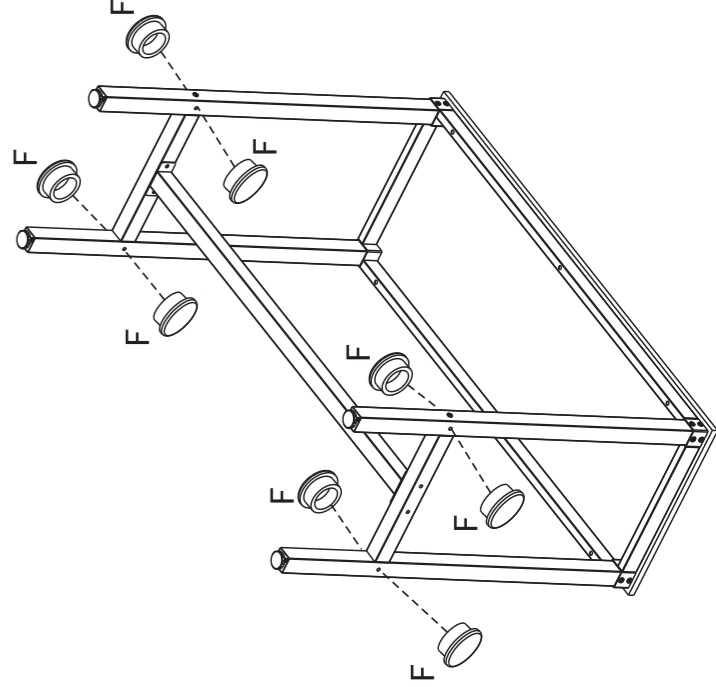
Do not tighten!!!



4.



5.



6.

