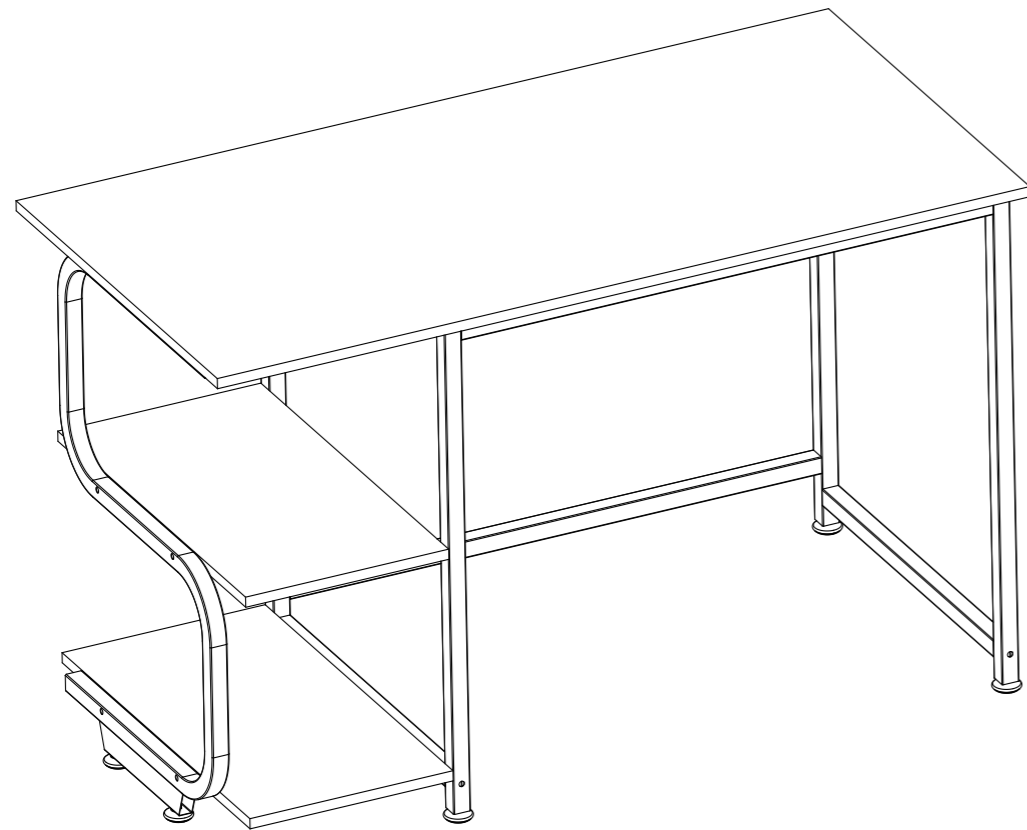


TERAVES

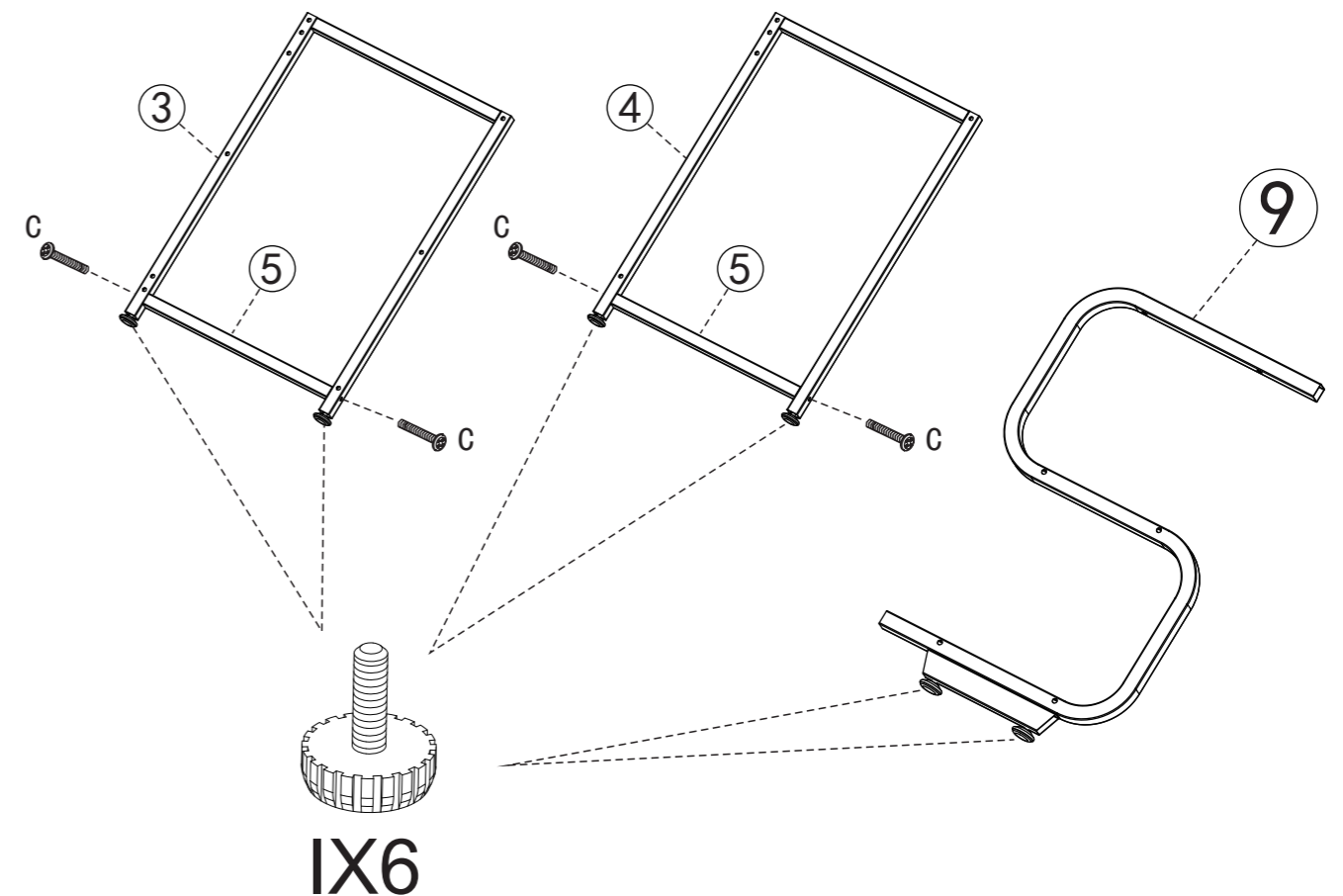
Model : SPRIMI
V2.0



① X1 	② X2 	③ X1 	④ X1 	⑤ X2 	
⑥ X1 	⑦ X1 	⑧ X1 	⑨ X1 		
Cx10 M6X45	DX10 M6X35	FX4 M6	LX8 ST6X45	IX6 	

Installation tips:

- 1, Align the fittings and accessories when installing the frame, then tighten the screws.
- 2, When installing the board, first screw all the screw holes and tighten them.



Build Your Dream House!

CONTACT US:



@Teraves2019

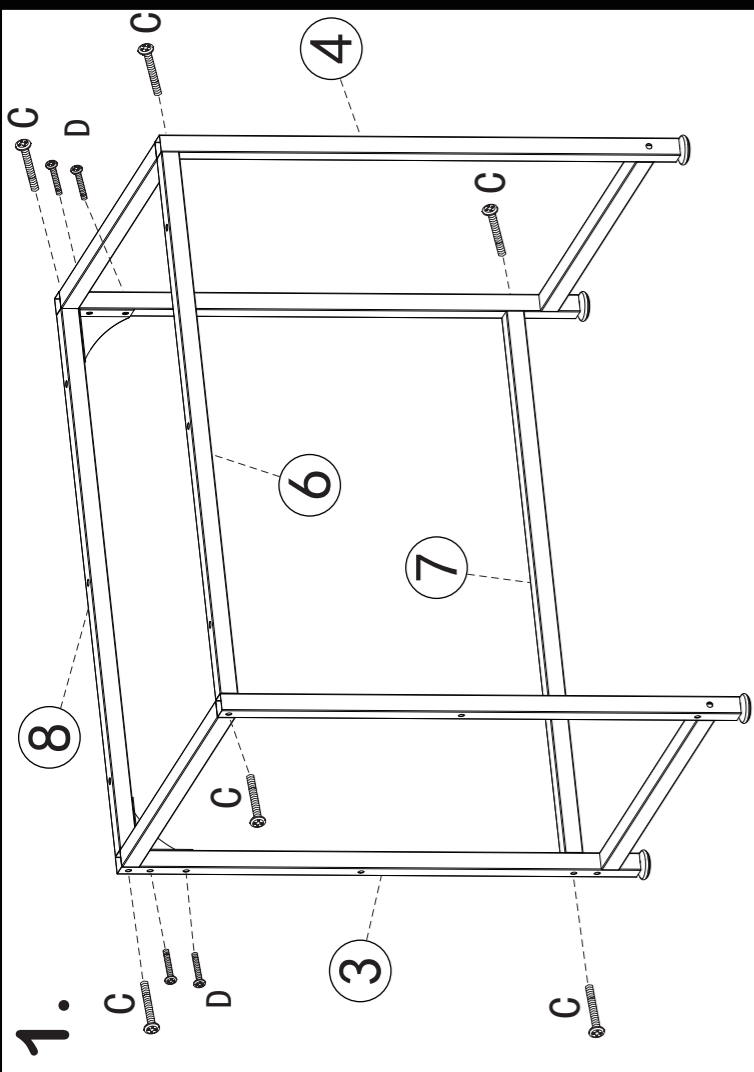
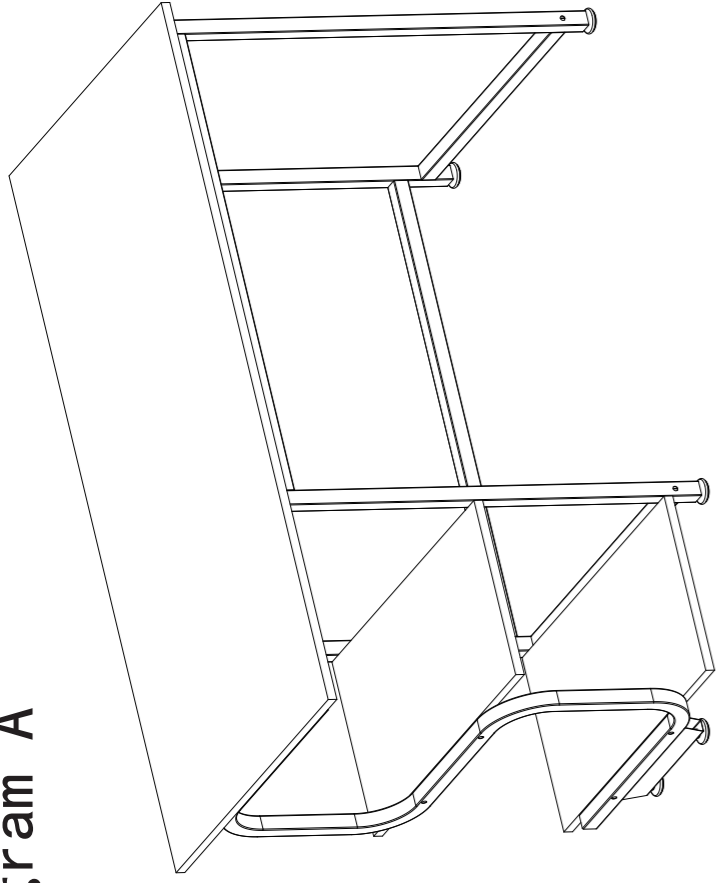


www.teraveshome.com

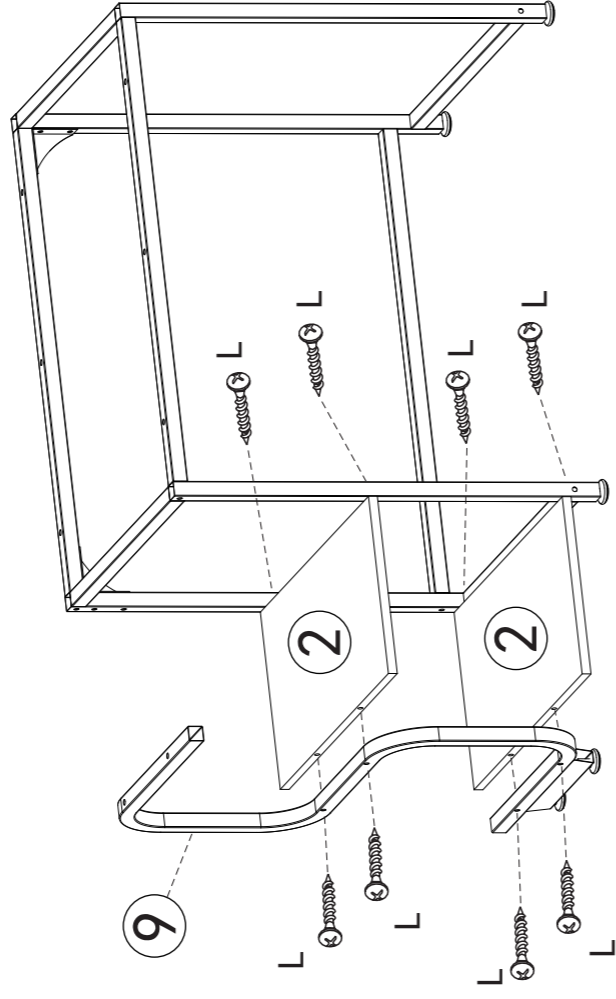


support@teraveshome.com

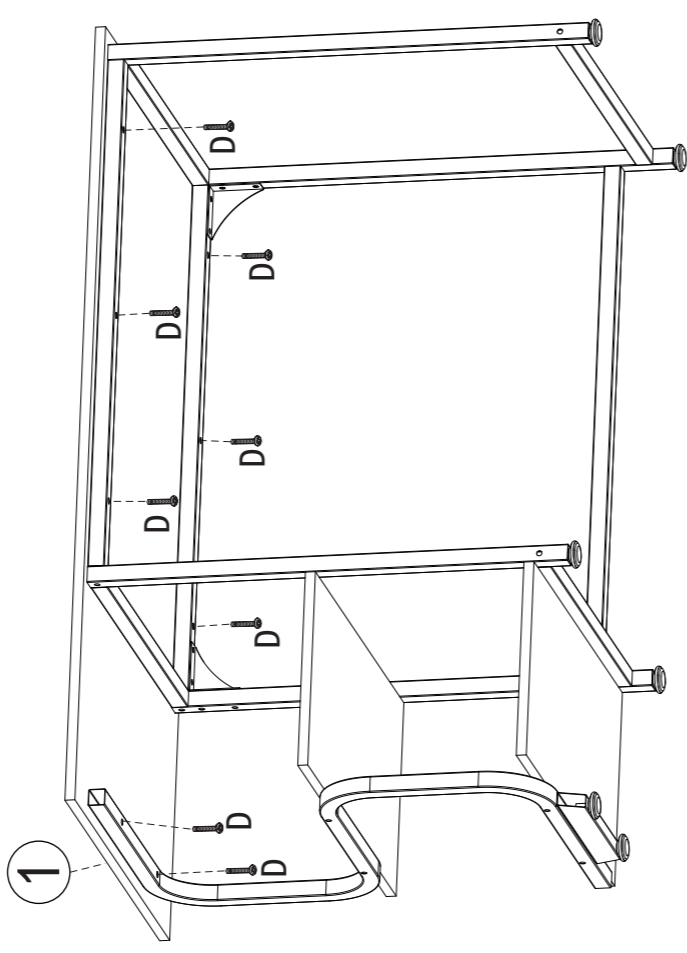
Program A



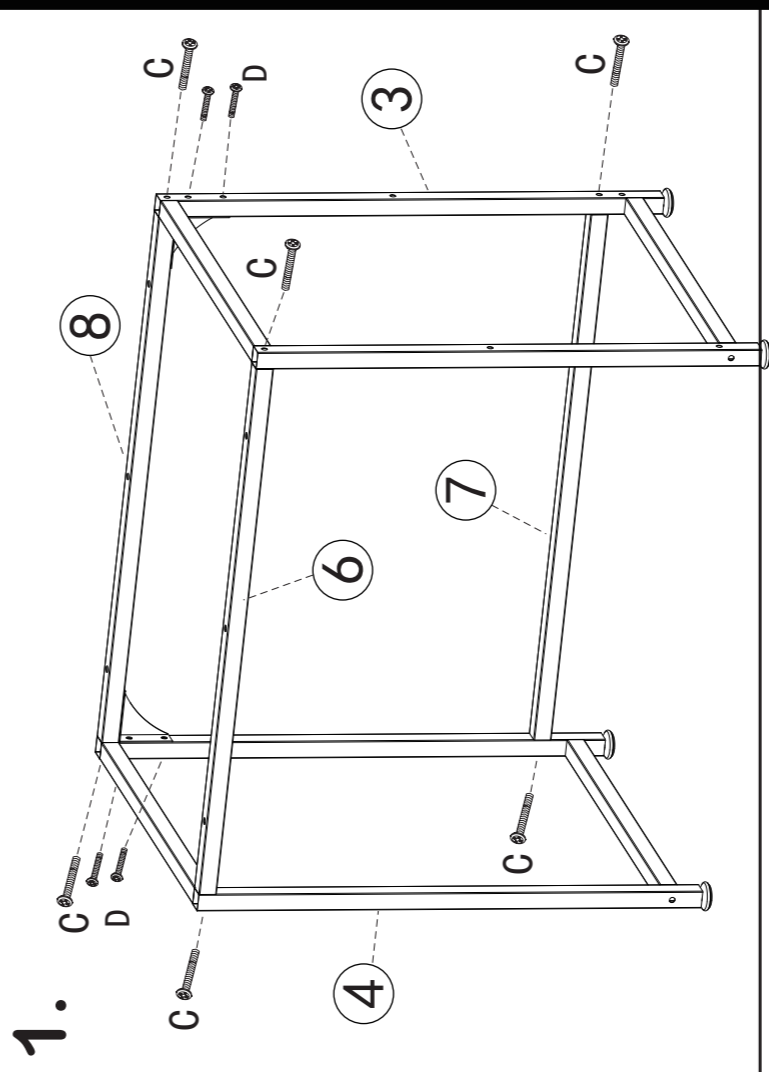
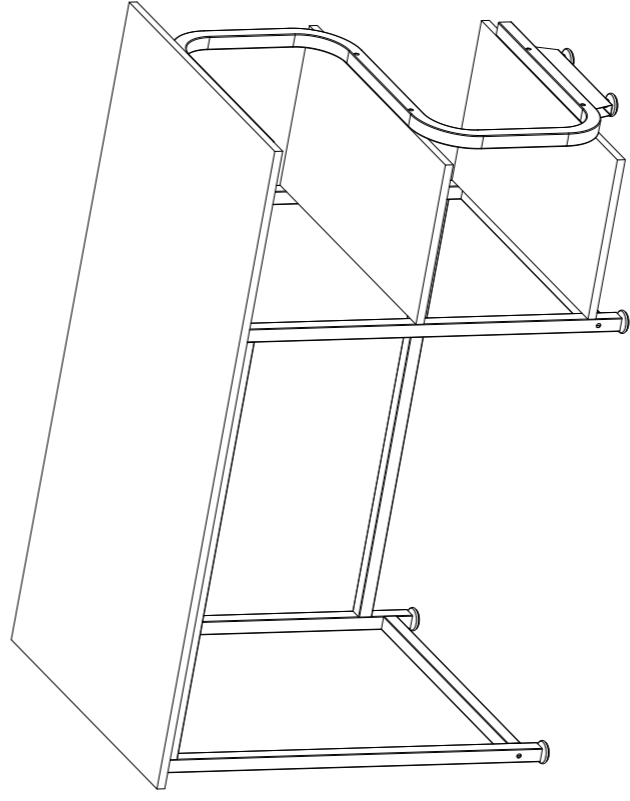
2.



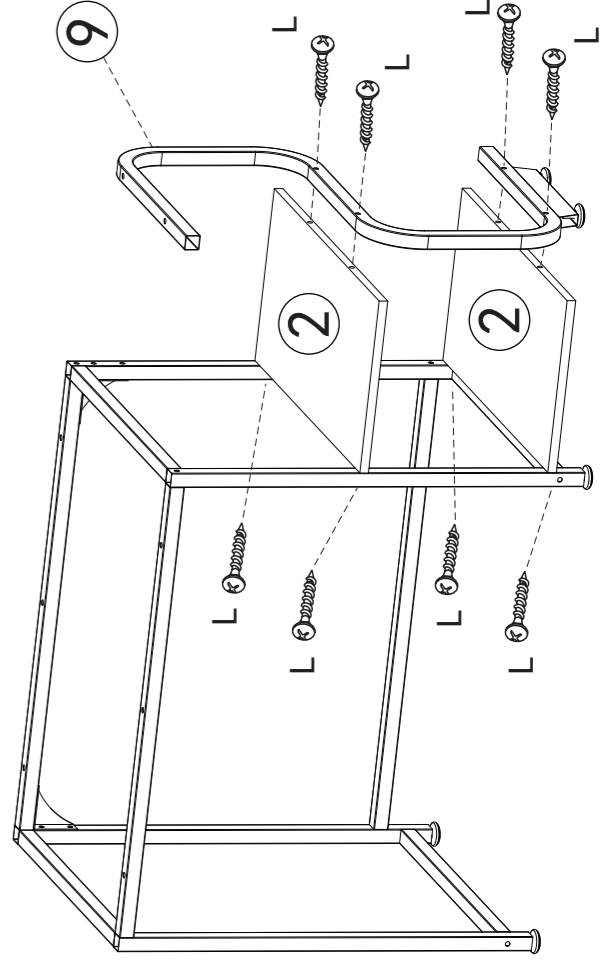
3.



Program B



2.



3.

