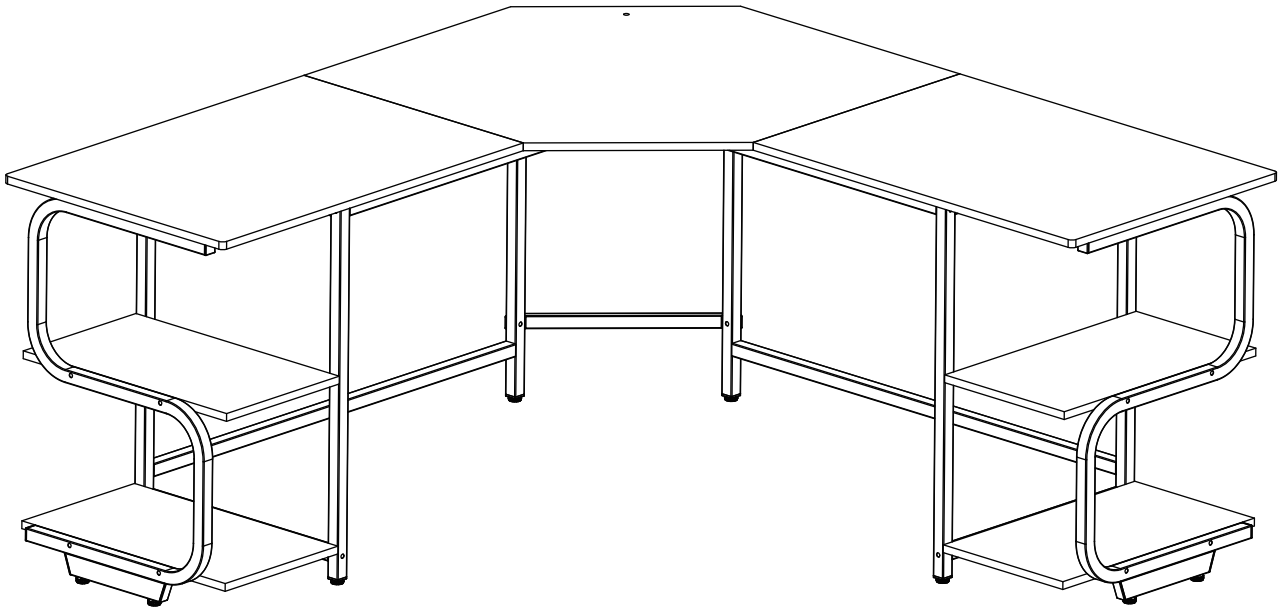


TERAVES

Model : VD-Cor-SS
V2.1



Build Your Dream House!

CONTACT US:



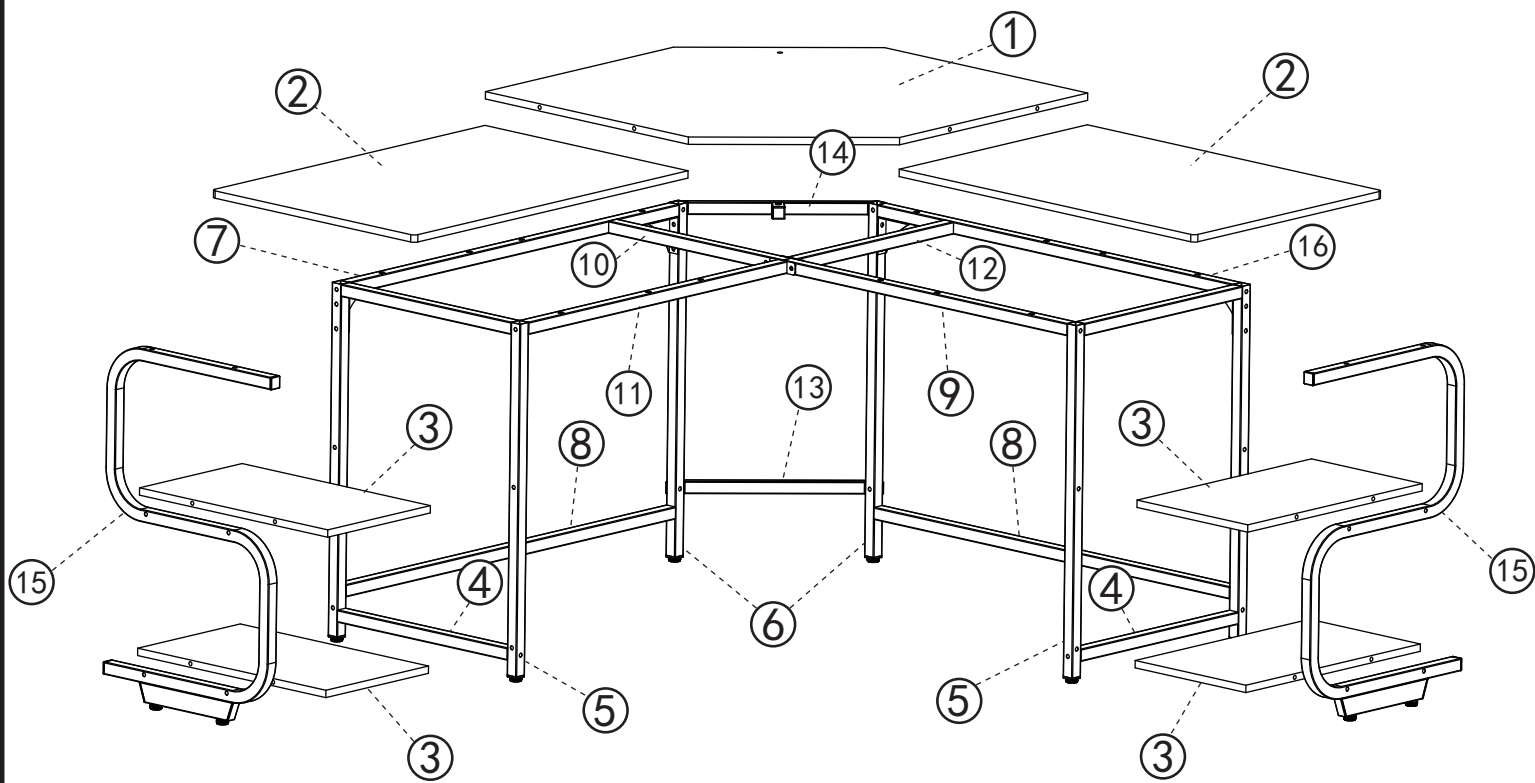
@Teraves2019



www.teraveshome.com



support@teraveshome.com

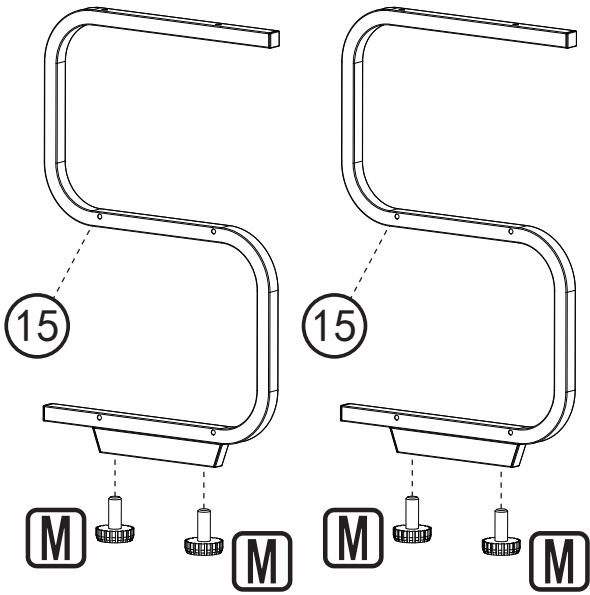


①x1 	②x2 	③x4 	④x2
⑤x2 	⑥x2 	⑦x1 	⑧x2
⑨x1 	⑩x1 	⑪x1 	⑫x1
⑬x1 	⑭x1 	⑮x2 	⑯x1

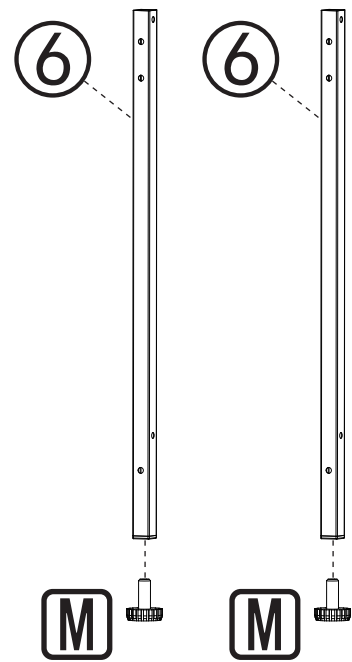
Ⓒx14 M6x45	Ⓓx32 M6x35	Ⓔx2 M6x10	Ⓕx12 	Ⓖx4 	Ⓖx16 M6x10	Ⓜx10 	ⓓx2 	
-------------------	-------------------	------------------	----------	---------	-------------------	----------	---------	--

Pre-Steps

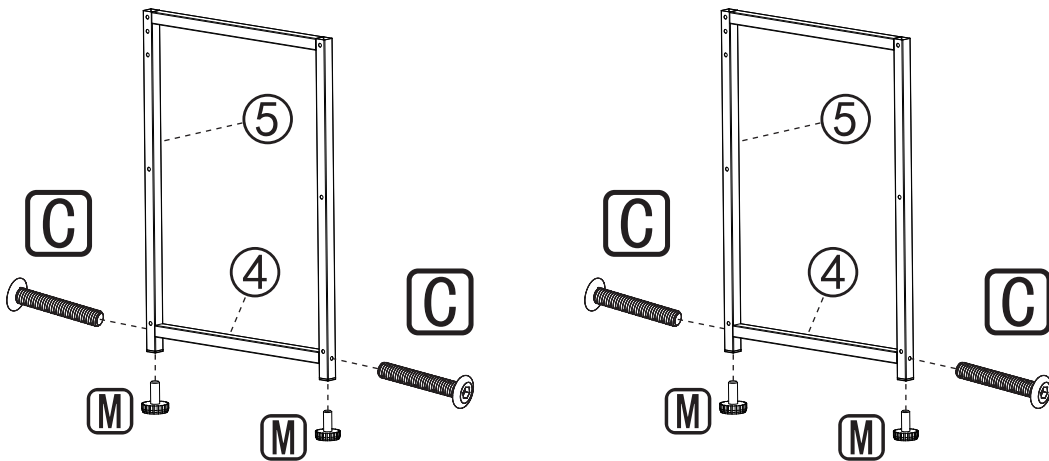
Step a



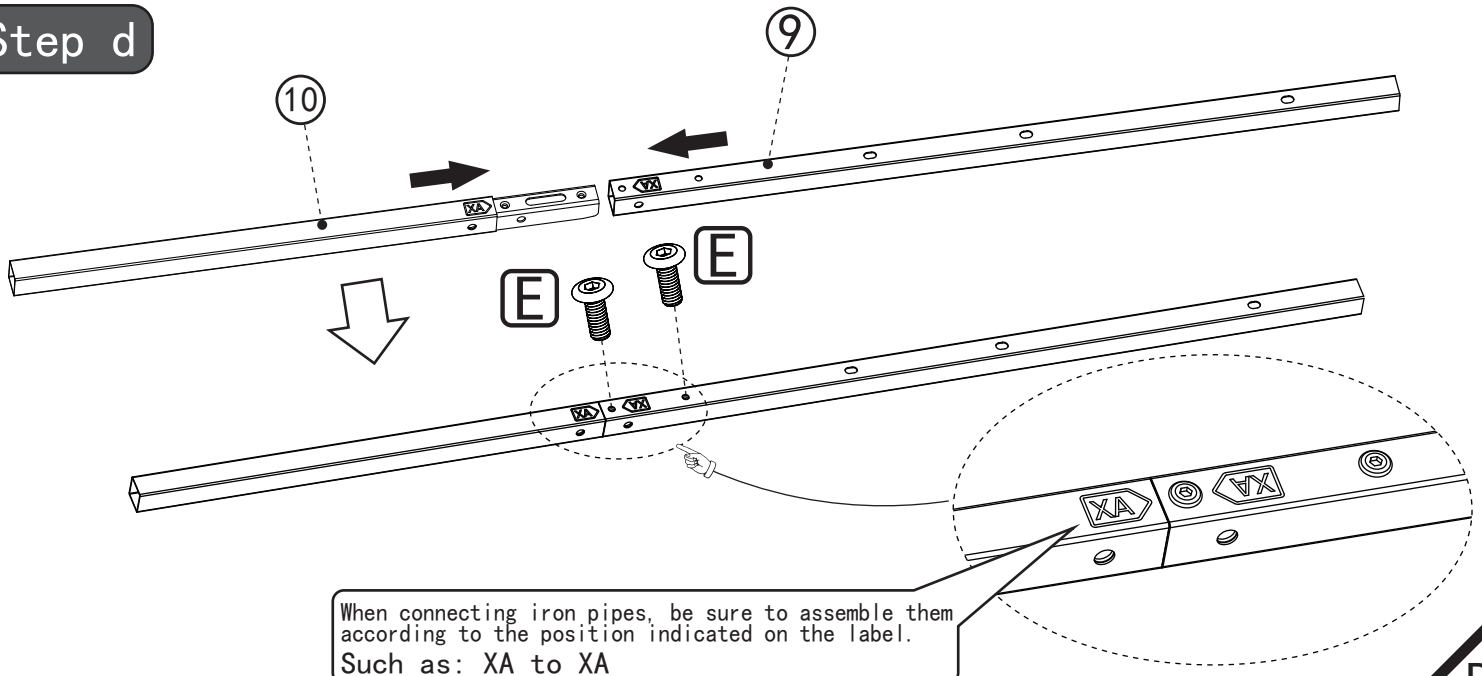
Step b



Step c

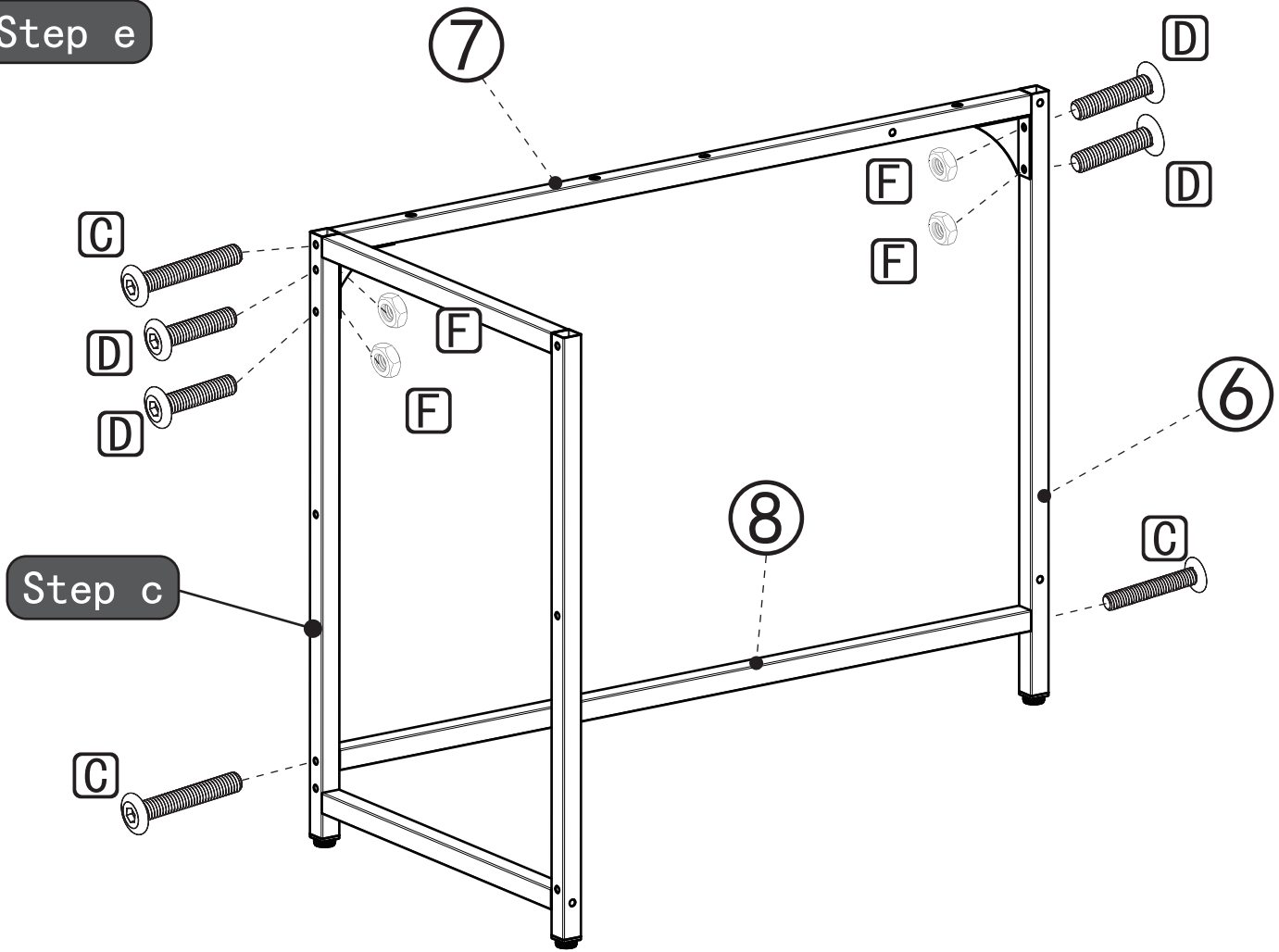


Step d



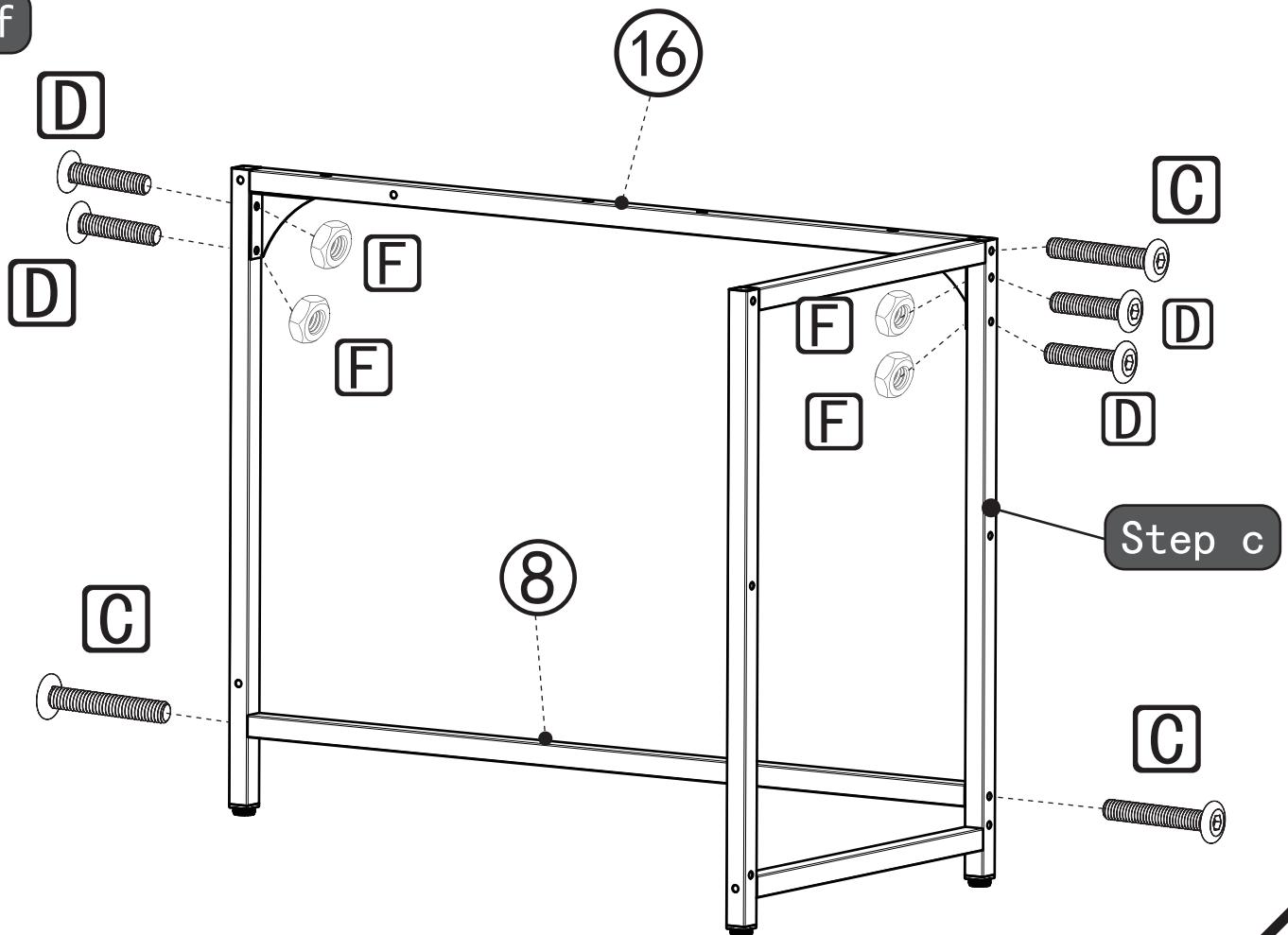
Pre-Steps

Step e



Step c

Step f

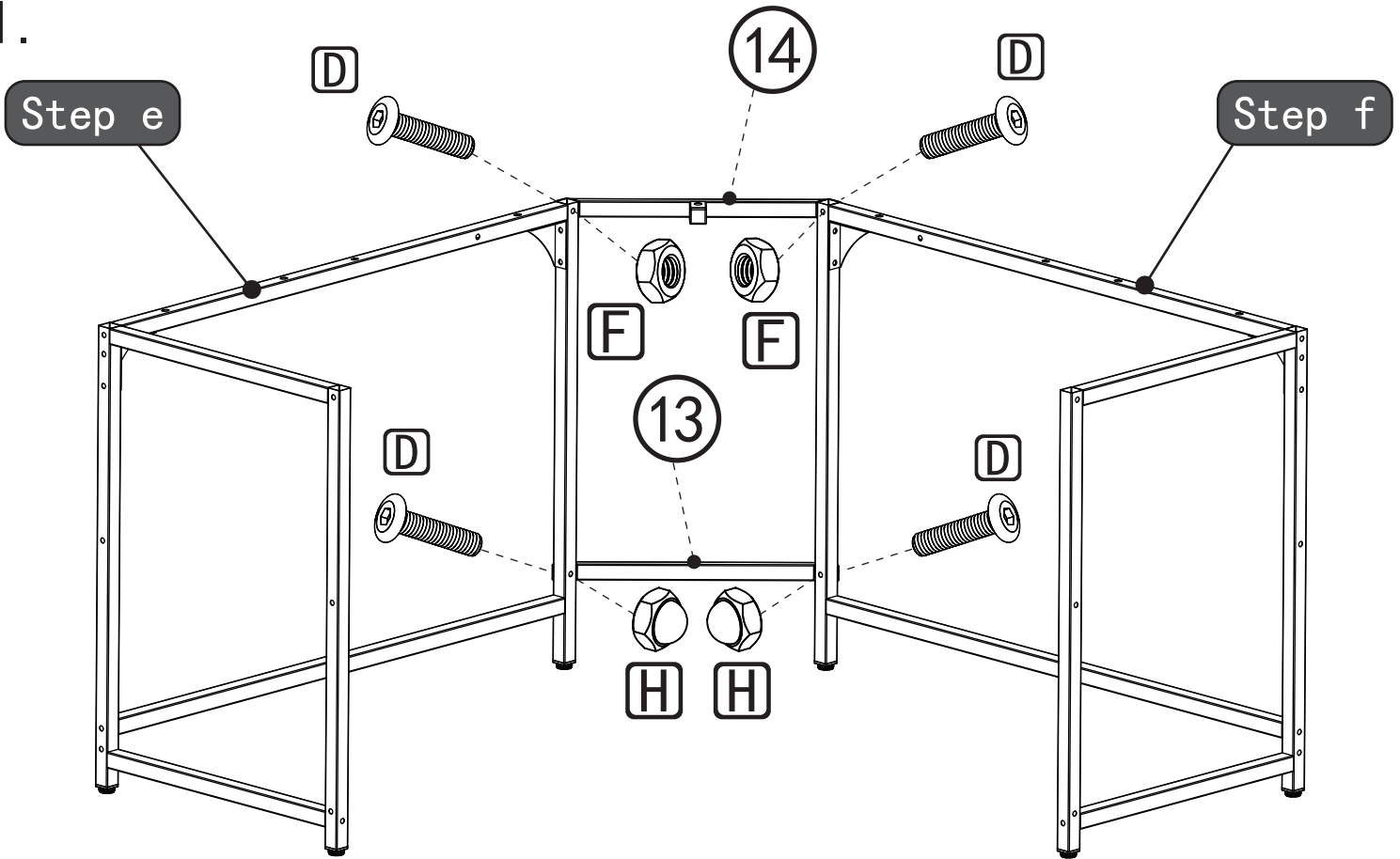


Installation tips:

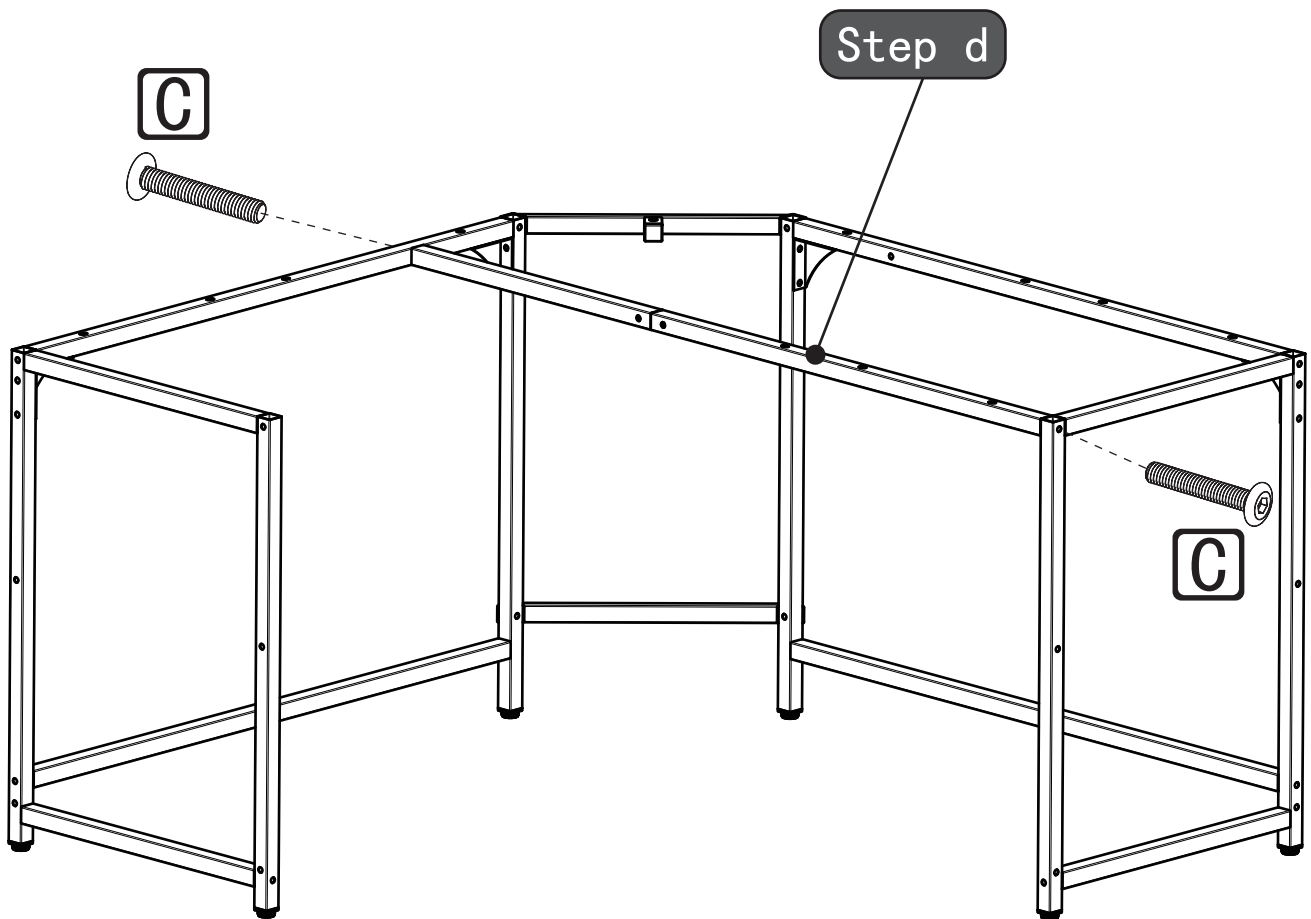
★ Please distinguish all parts according to the instruction before assembly.

★ Take note that screws can't be tightened until finishing the whole assembling.

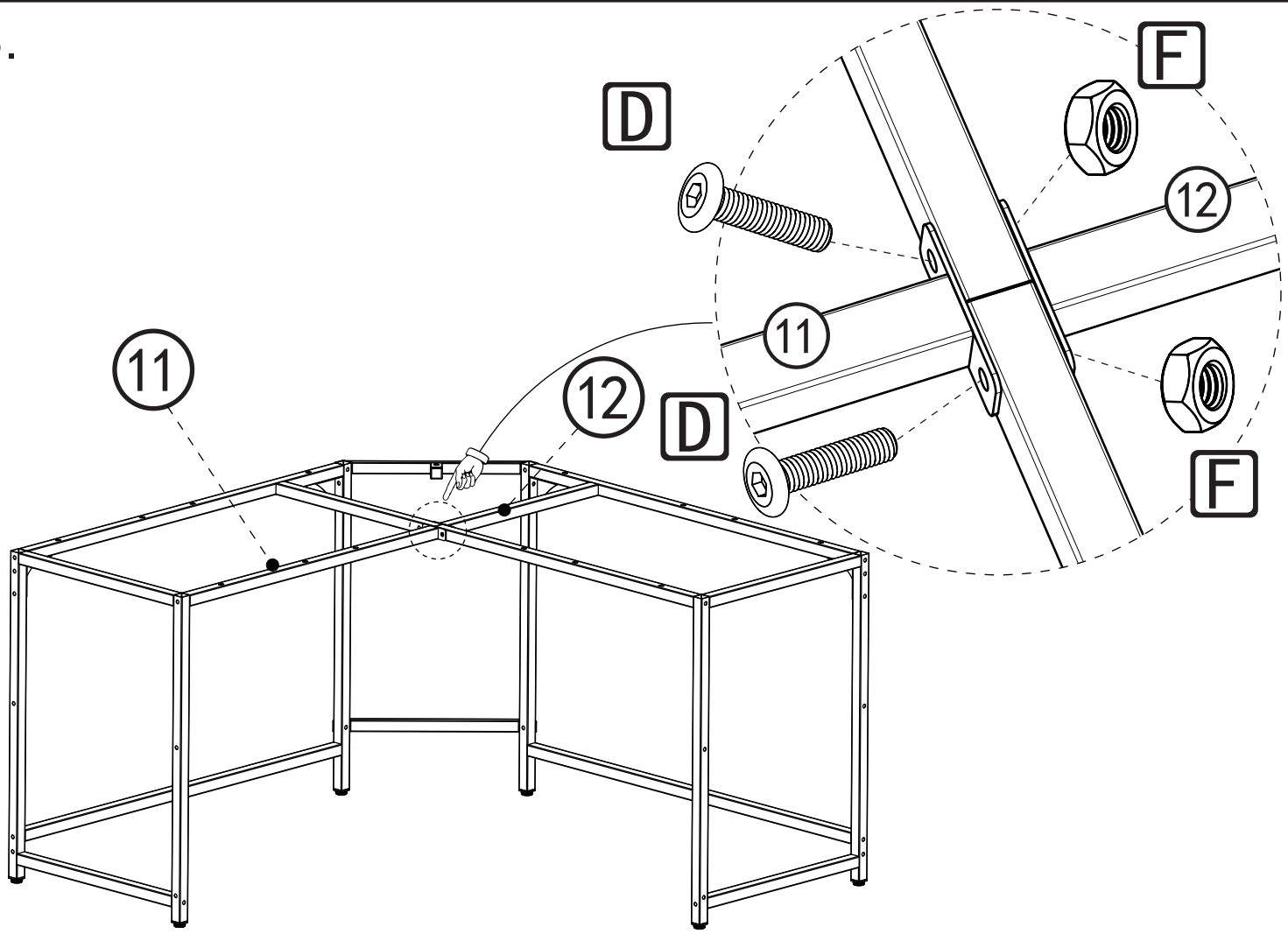
1.



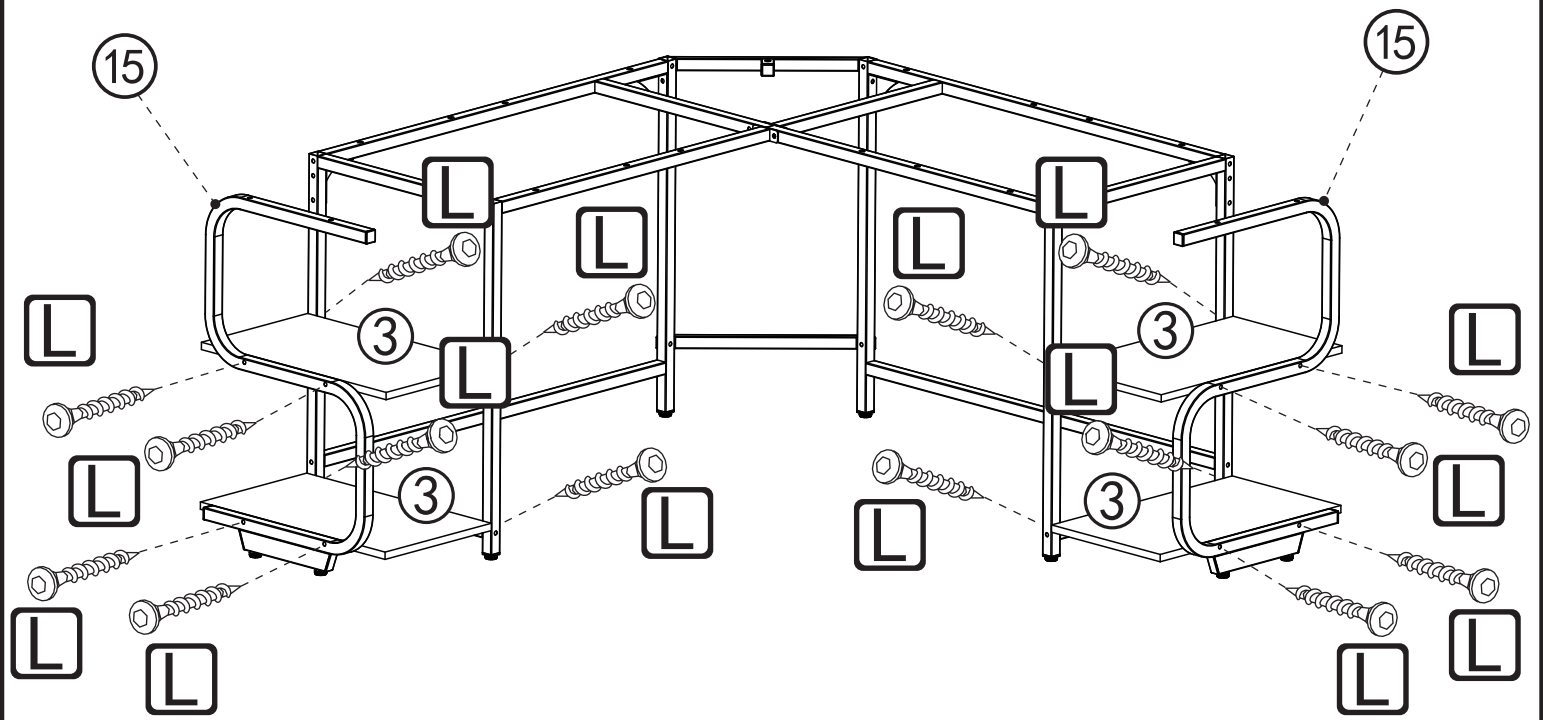
2.



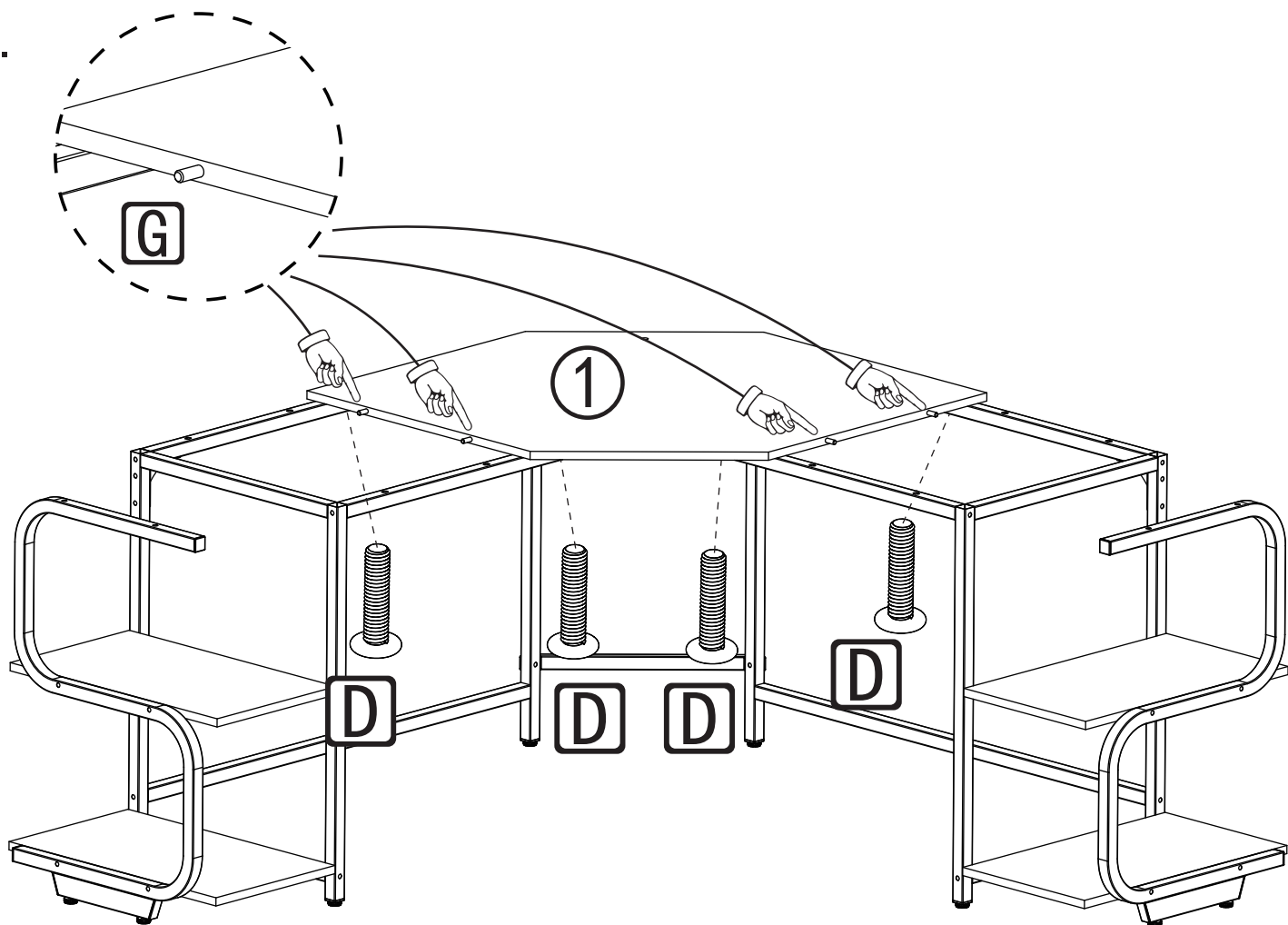
3.



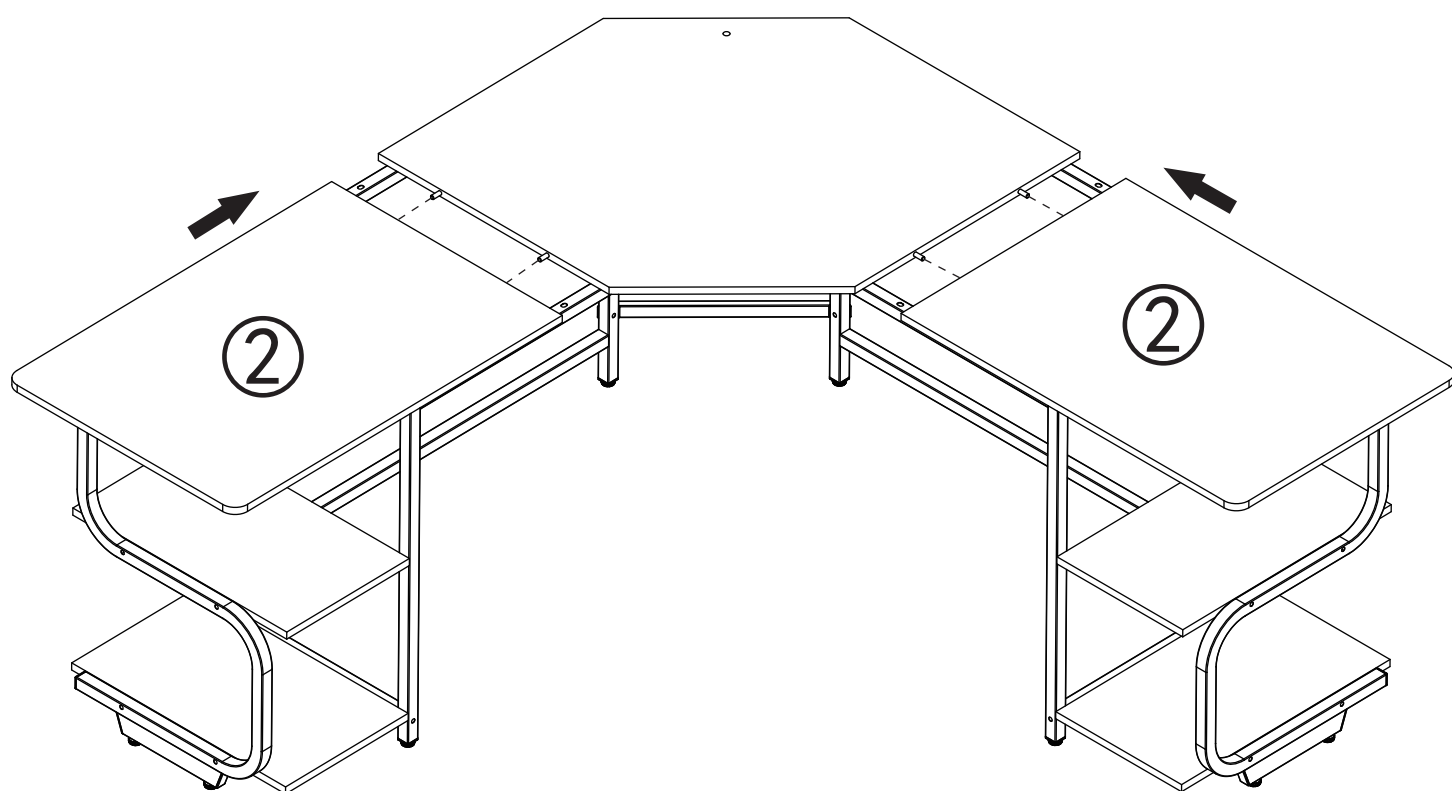
4.



5.

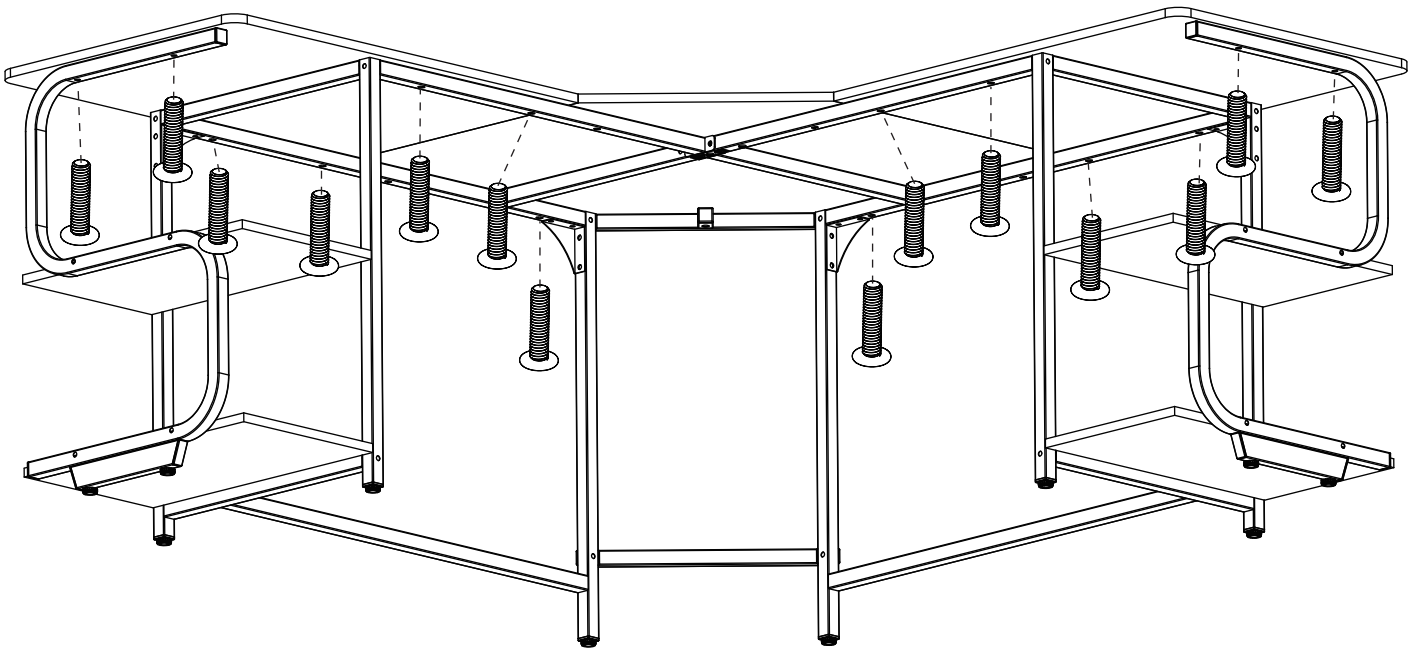


6.



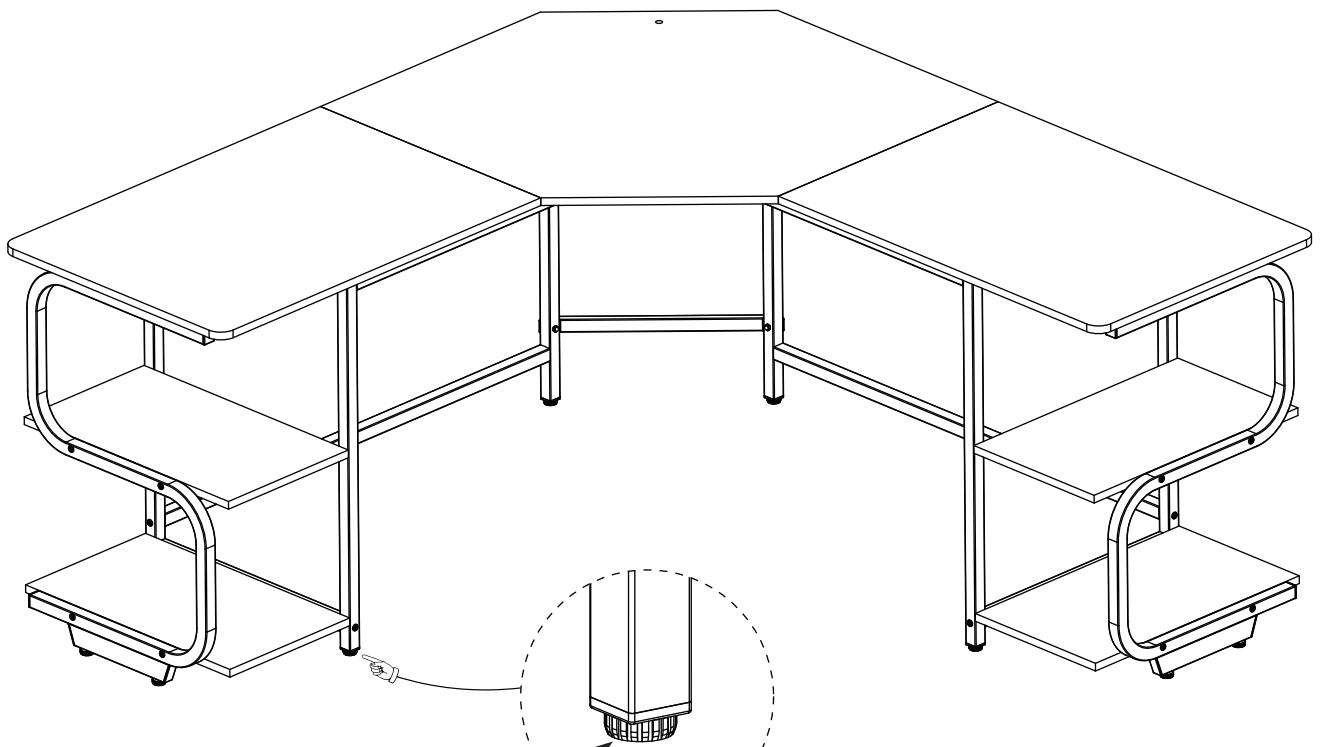
7.

Dx14



8.

Now please tighten all the screws and the whole installation is completed!



Adjust the height of the shelf leg by rotating the adjustment leg pad to make the table stable.